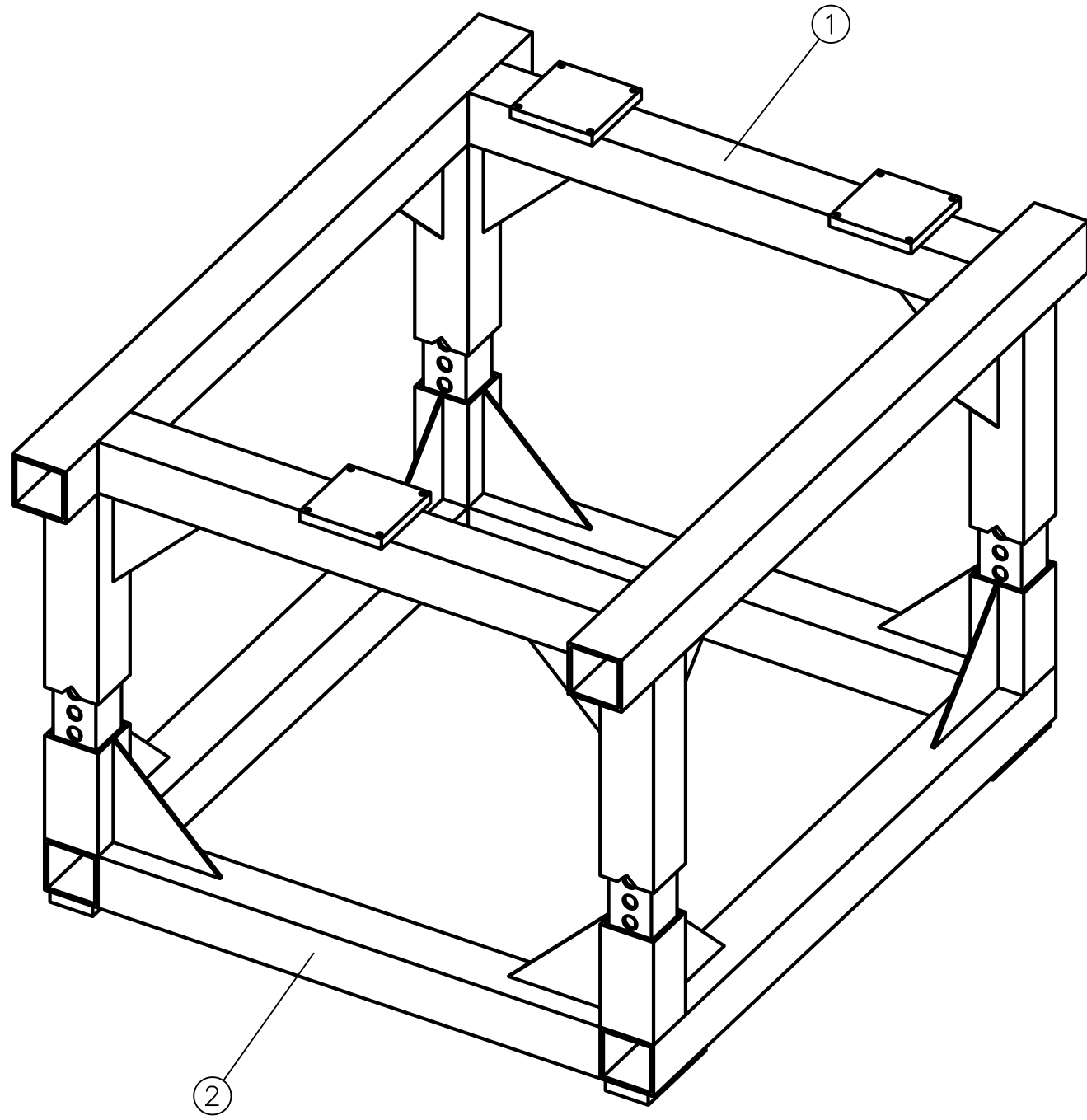

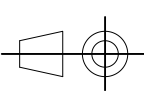


Mesures ar expressed in:
 mm cm m in ft

Rev.N	Revision note	Date	Signature



2	ABS-002	FE360	SUPPORTO INFERIORE	1
1	ABS-001	FE360	SUPPORTO SUPERIORE	1
PART N.	DRAWING	MATERIAL	DENOMINATION	Q.TY
Gen. Tol. for untoleranced dimensions: ISO 2768-mk-E		Geometrical tolerances: ISO 8015 - E		Roughness: ISO 1302
 Istituto Nazionale di Fisica Nucleare Sezione di Ferrara		Designer	FEDERICO EVANGELISTI	Via Scienze, 39 44100 - Ferrara Tel 0532974296 e-mail: evangelisti@fe.infn.it
		Approved	FEDERICO EVANGELISTI	
SPINLAB		Experiment/Project	Scale	Date
SUPPORTO ABS2			Size	08/09/04
			A3	Document no.
			Num. of Sheet	ABS-000
				File
				ABS000.pdf