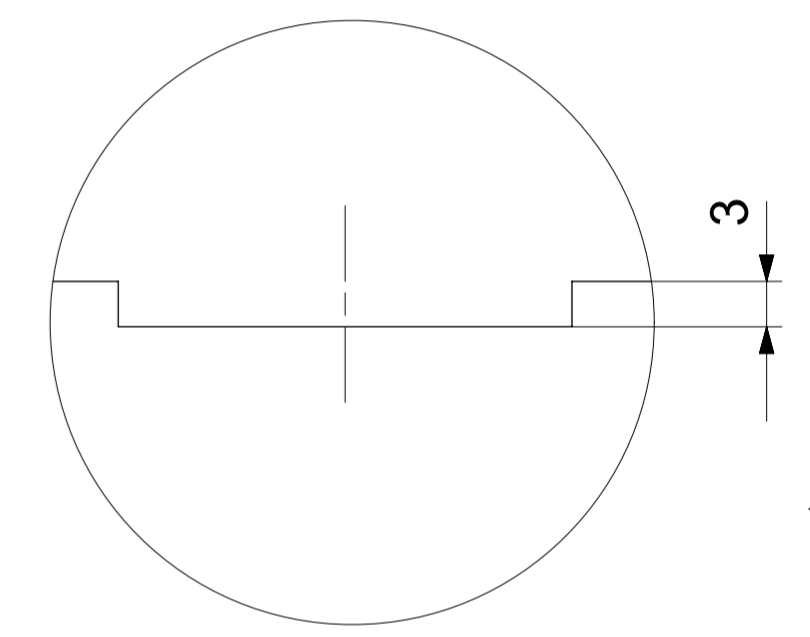
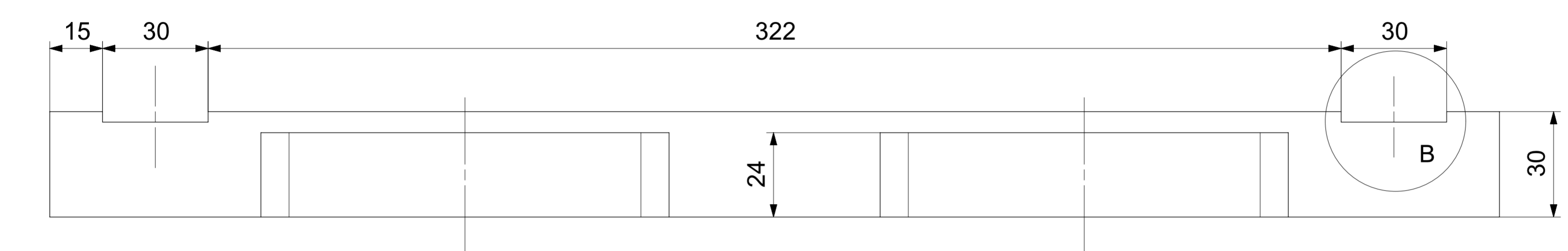
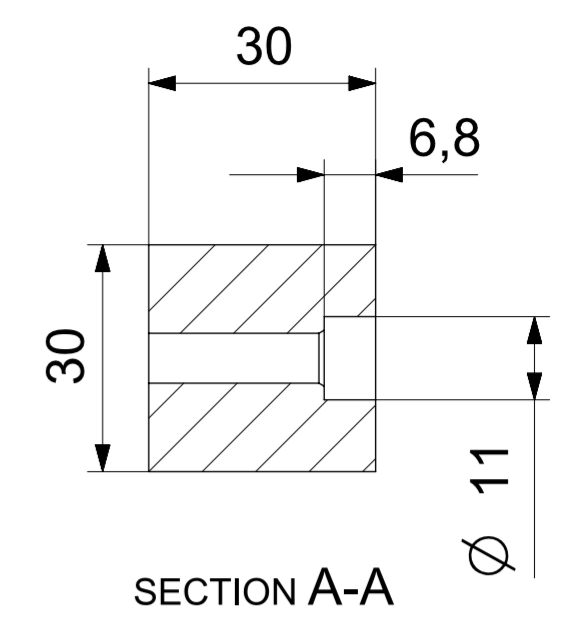
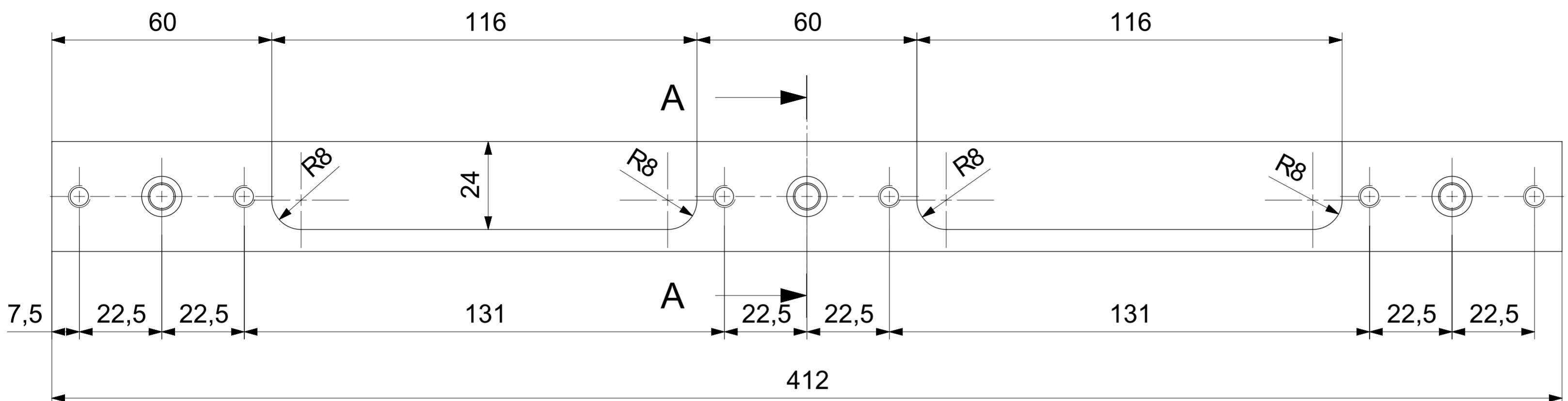
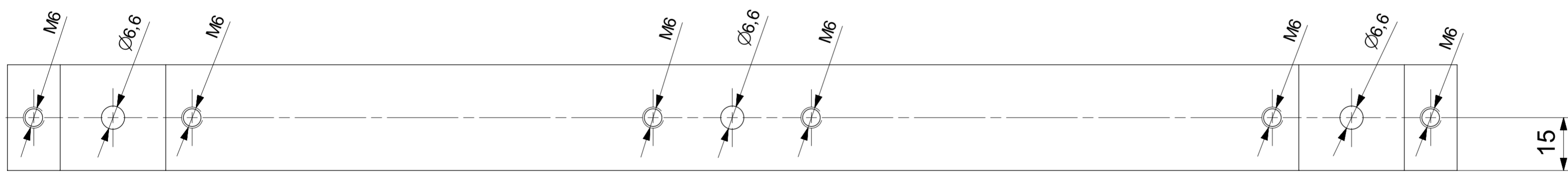


All dimension in:
 mm cm m in ft


Rev.N	Revision note	Date	Signature



DETAIL B
SCALE 2:1



3,2/ ∇ INNER EDGE CORNERS = 0,4
 OUTER EDGE CORNERS = 0,2

1	ROF-002	AL6061	HORIZONTAL BAR	2
PART N.	DRAWING	MATERIAL	DENOMINATION	Q.TY
Gen. Tol. for untoleranced dimension: ISO 2768-mk-E		Geometrical tolerance: ISO 8015 - E		Roughness: ISO 1302
 Istituto Nazionale di Fisica Nucleare Sezione di Ferrara		Designer V. Carassiti		c/o Polo Tecnico-Scientifico Blocco C - Studio 107 Via Saragat 1 - 44100 Ferrara Tel 0532974281 e-mail: carassiti@fe.infn.it
		Approved		
PAX		Experiment/Project	Scale 1:1	Date 08/10/2015
DETECTOR		Size A2	Sheet Num. of Sheet	Document no. File name ROF-002_dwg