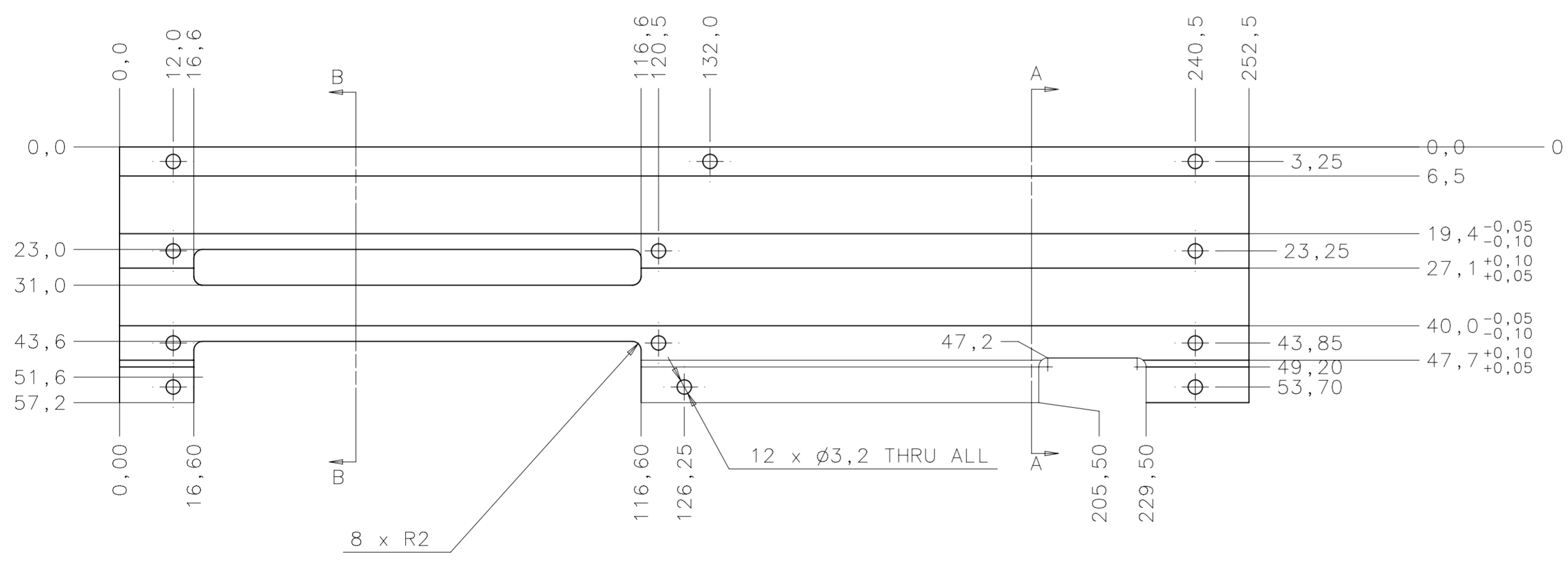
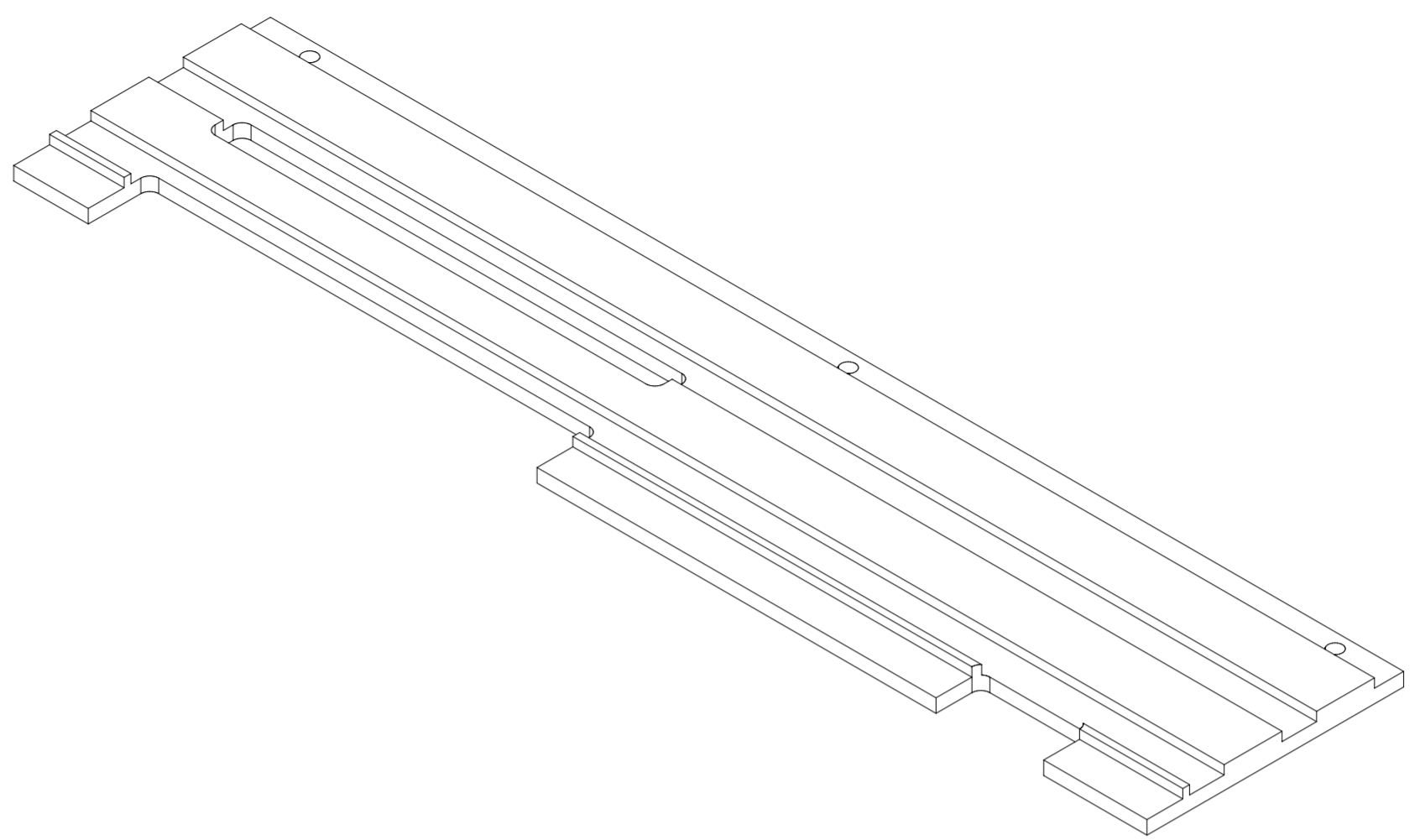
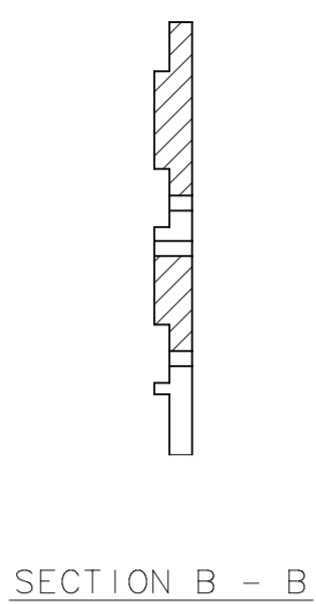
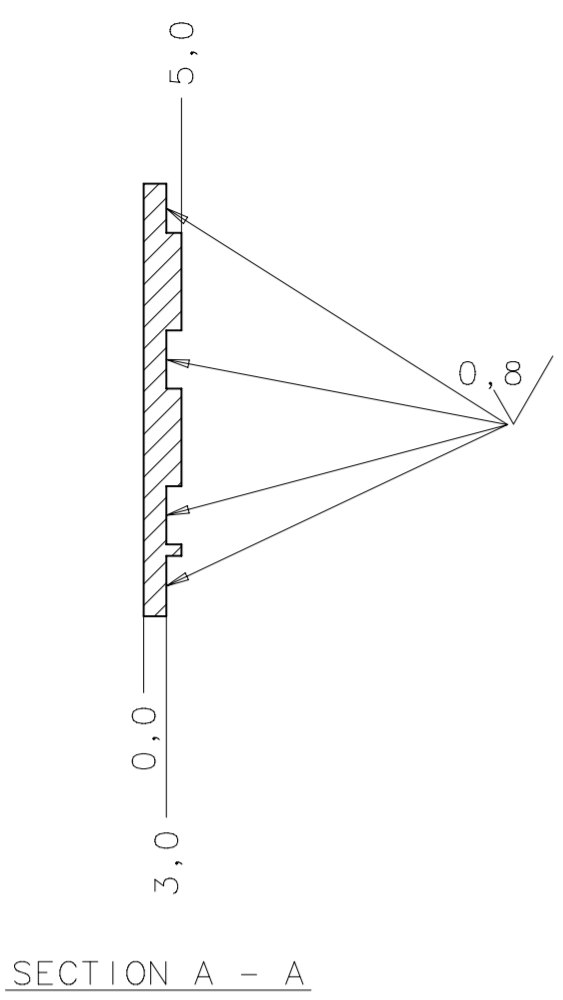


1 2 3 4 5 6 7 8

A B C D E F G H

A B C D E F G H



ITEM		CODE		ALUMINUM AA5183		1	MATERIAL SPECIFIC.
DESCRIPTION		QTY NEED		SURFACE A/O HEAT TREATING		1	
NOT DIMENSIONED CHAMFERS		ROUGHNESS Ra in MICROM		DIMENSIONS WITHOUT TOLERANCE SPECIFICATION		SCALE	
DATE		SIGNATURE		Degree of accuracy UNI 5307		1	
DRAWN		CHECKED		APPROVED		STANDARD VERIF.	
16/01/2013		V. CARASSITI					
Sezione di Ferrara		TITLE		BOX WALL2 LATERAL		MODIFICATION INDEX	
IIN		DWG N.		DCB05		1 6	
Istituto Nazionale Fisica Nucleare		SIZE		A2		2 7	
						3 8	
						4 9	
						5 10	

1 2 3 4 5 6 7 8