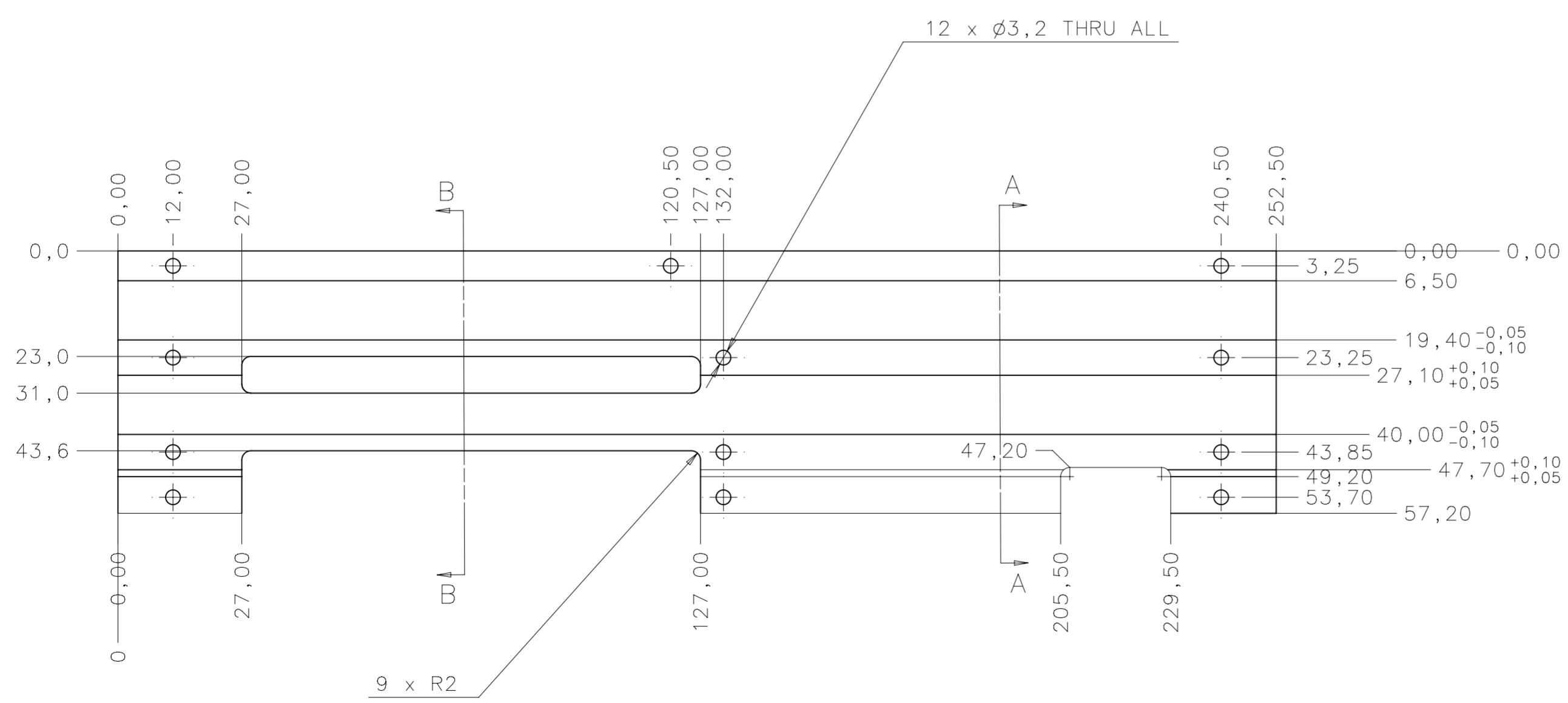
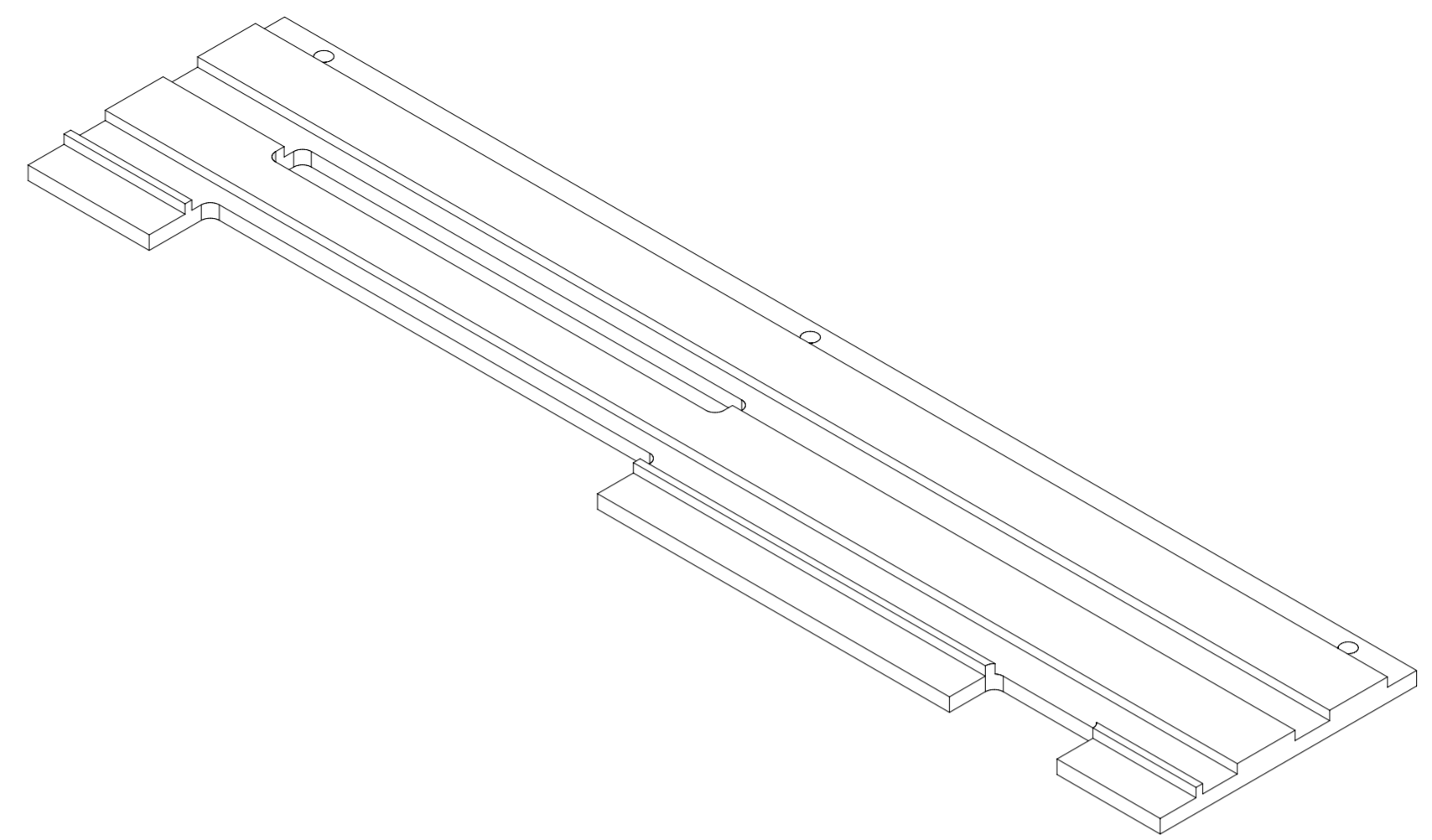
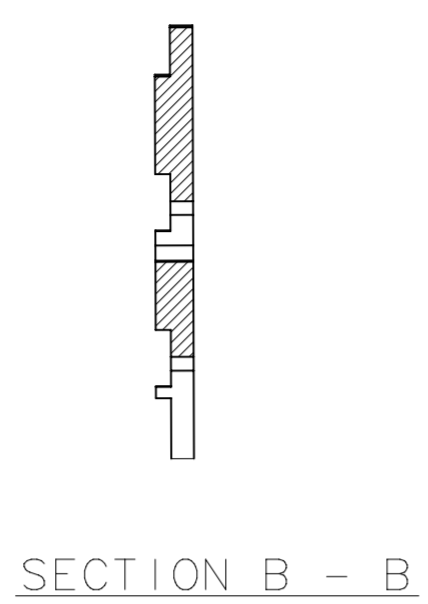
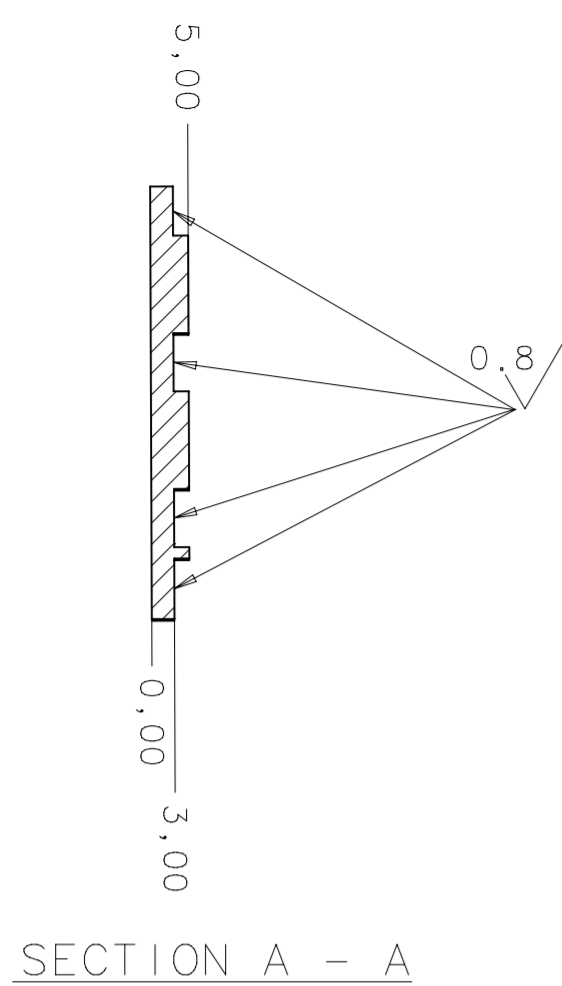


1 2 3 4 5 6 7 8

A B C D E F G H

A B C D E F G H



				ALUMINUM AA5183		1											
ITEM	CODE	DESCRIPTION				QTY NEED	MATERIAL SPECIFIC.										
NOT DIMENSIONED CHAMFERS		ROUGHNESS Ra in MICROM		SURFACE A/O HEAT TREATING													
DATE	DRAWN	CHECKED	APPROVED	STANDARD VERIF.	DIMENSIONS WITHOUT TOLERANCE SPECIFICATION	SCALE											
15/01/2013					Degree of accuracy UNI 5307	1											
SIGNATURE		V. CARASSITI															
 Sezione di Ferrara Istituto Nazionale Fisica Nucleare				TITLE		<table border="1"> <tr><td>1</td><td>6</td></tr> <tr><td>2</td><td>7</td></tr> <tr><td>3</td><td>8</td></tr> <tr><td>4</td><td>9</td></tr> <tr><td>5</td><td>10</td></tr> </table>		1	6	2	7	3	8	4	9	5	10
1	6																
2	7																
3	8																
4	9																
5	10																
				BOX WALL1 LATERAL													
				DCB03		<table border="1"> <tr><td>A2</td></tr> </table>		A2									
A2																	

1 2 3 4 5 6 7 8