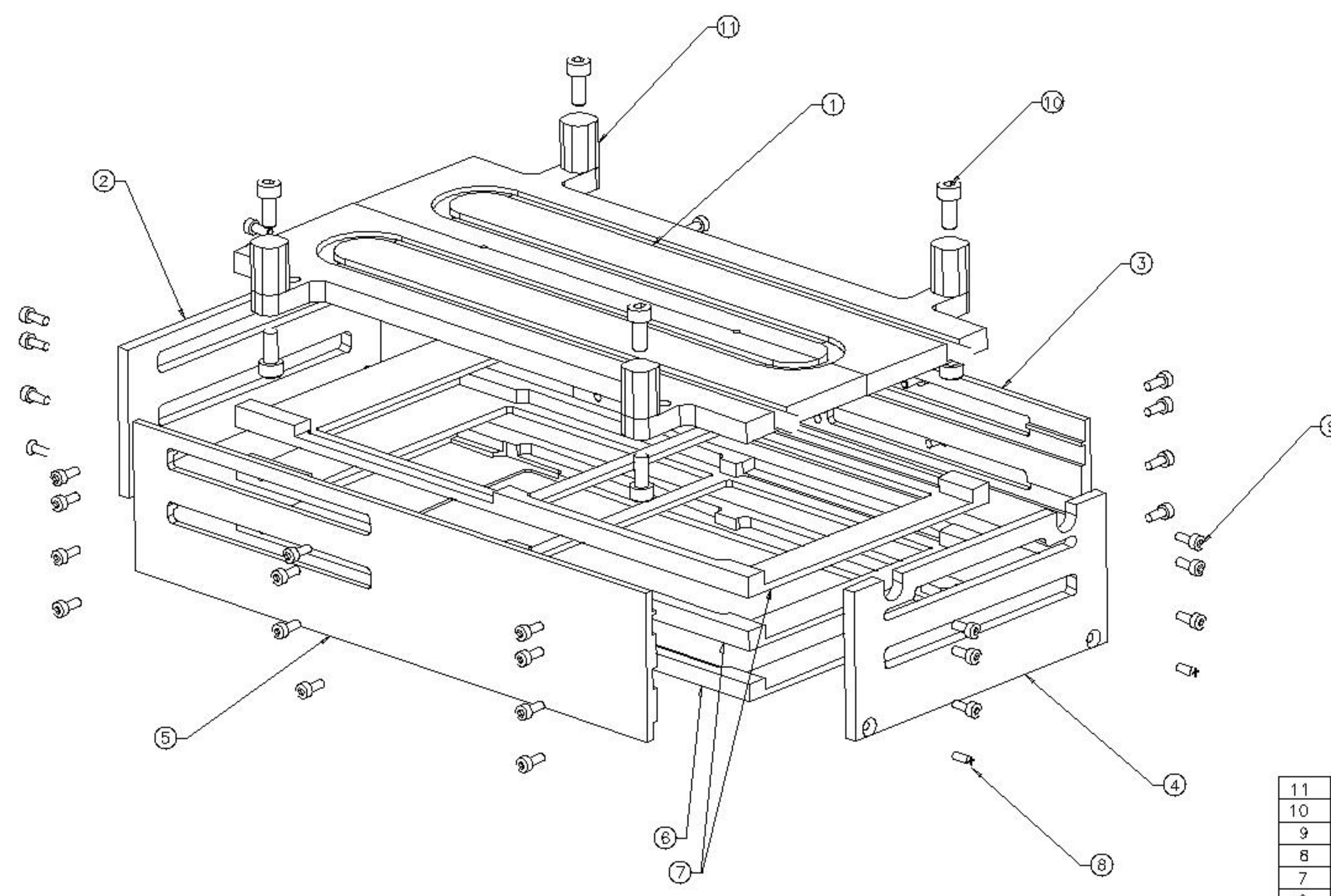




Measure or expressed in:
 mm □ cm □ m □ in □ ft □

Rev.N	Revision note	Date	Signature



11	DCB08	ALUMINUM AA5183	SILICON ELECTRONIC SPACER	4
10		TITANIUM	HEX SOCKET HEAD CAP SCREW M5x12 ISO4762	8
9		TITANIUM	HEX SOCKET HEAD CAP SCREW M3x8 ISO4762	36
8		TITANIUM	CROSS RECESSED COUNTERSUNK HEAD SCREW M3x8 ISO7048	4
7	DCB07	ALUMINUM AA5183	PAX SENSORS FRAME	2
6	DCB06	ALUMINUM AA5183	HERMES SENSORS FRAME	1
5	DCB05	ALUMINUM AA5183	BOX WALL2 LATERAL	1
4	DCB04	ALUMINUM AA5183	BOX WALL FORWARD	1
3	DCB03	ALUMINUM AA5183	BOX WALL1 LATERAL	1
2	DCB02	ALUMINUM AA5183	BOX WALL BACKWARD	1
1	D-A10682-550		COLD PLATE - COMMERCIAL	1
	DCB01		DETECTOR COOLING BOX - EXPLODED	1
PART N.	DRAWING	MATERIAL	DEMININATION	QTY
Gen. Tol. for untoleranced dimensions: ISO 2768-mk-E		Geometrical tolerances: ISO 8015 - E		Roughness: ISO 1302
 Istituto Nazionale di Fisica Nucleare Sezione di Ferrara		 Designer: VITTORE CARASSITI Approved: VITTORE CARASSITI	Experiment/Project: PAX Date: 14/01/2013 Size: A2 File: DCB01	