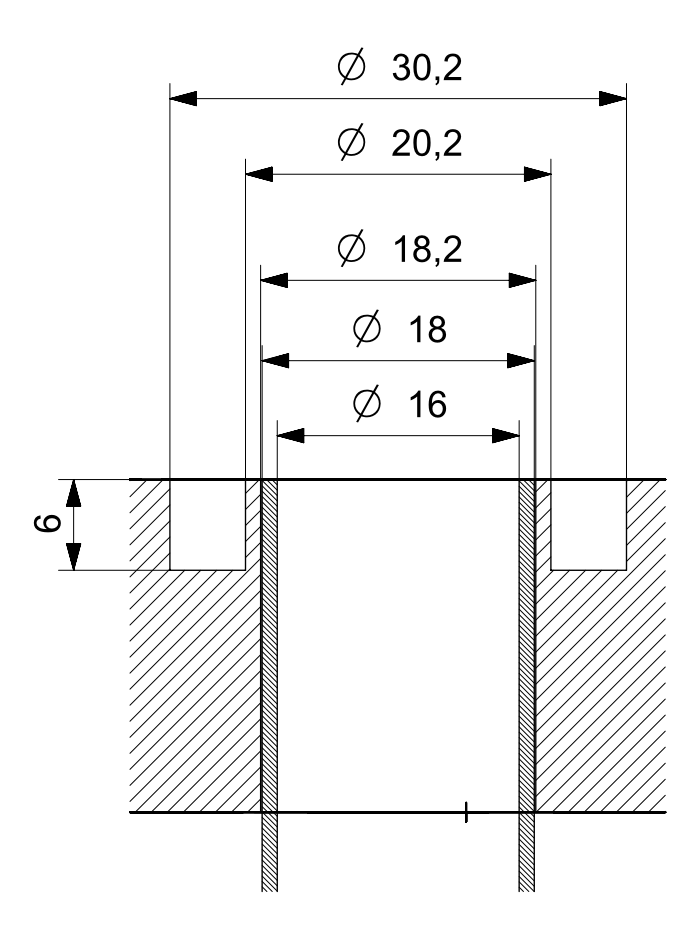
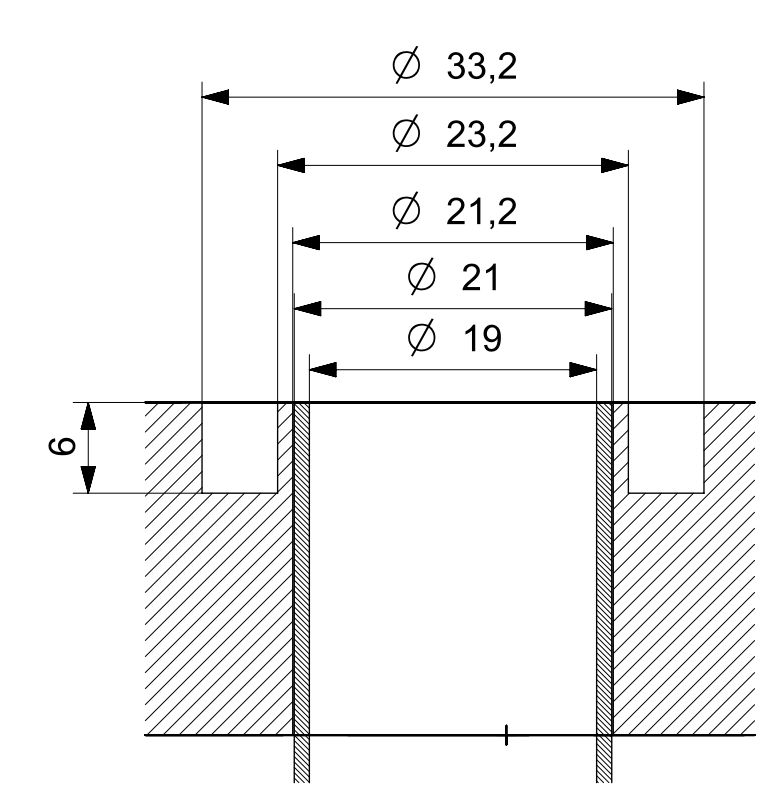


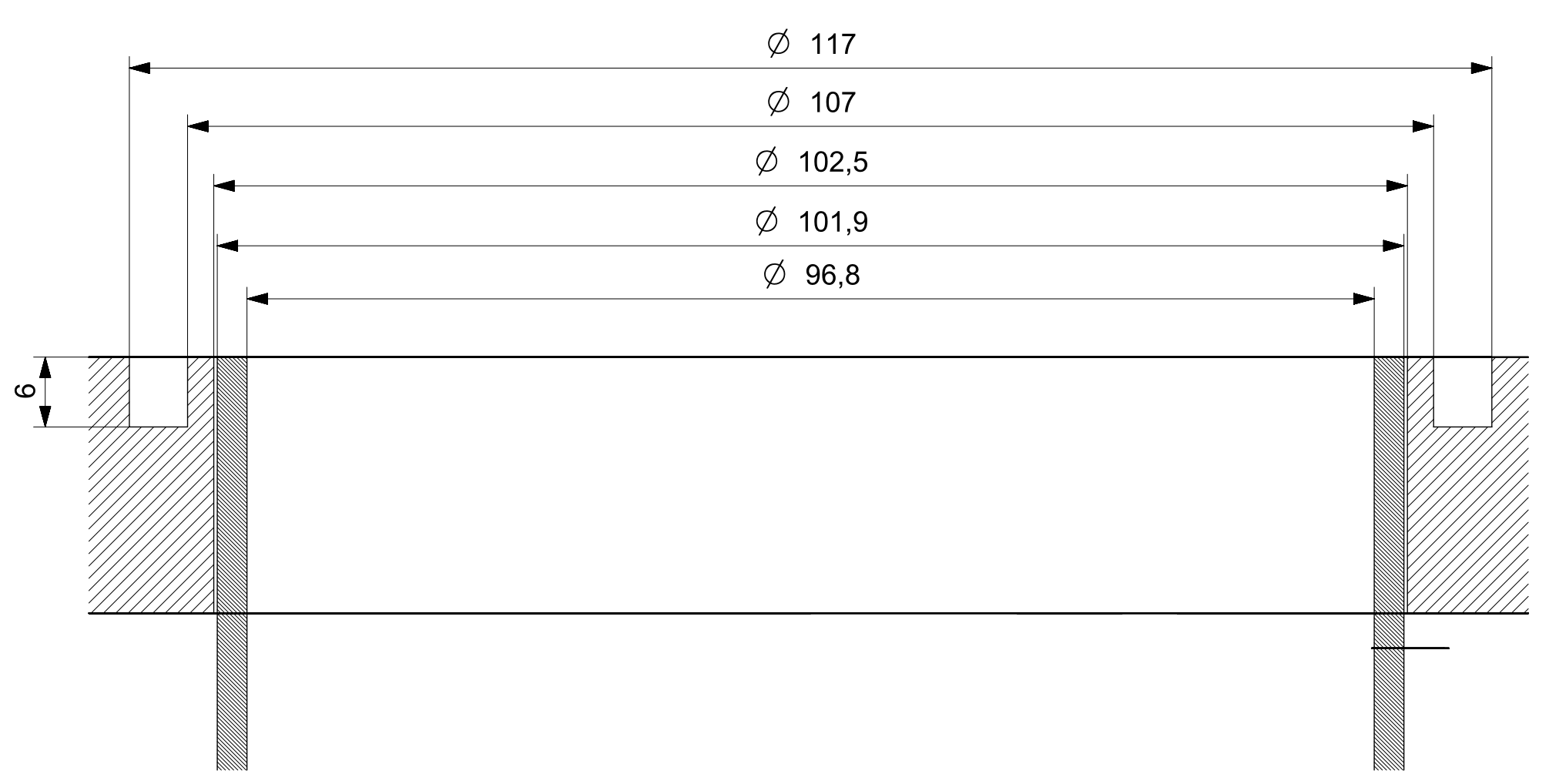
DETAIL G  
SCALE 2:1



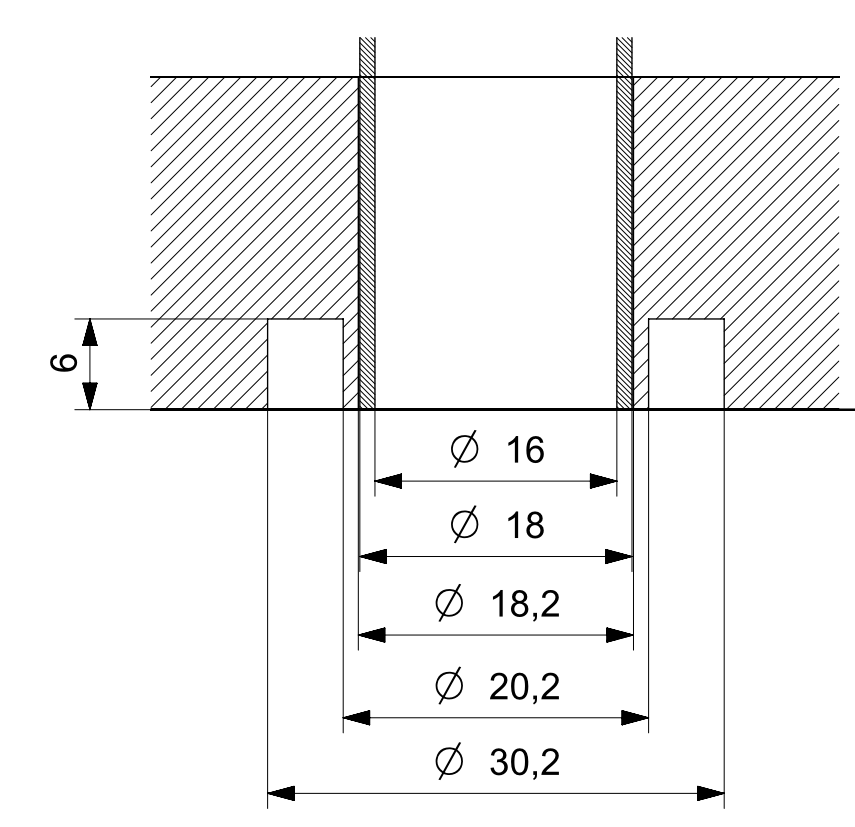
DETAIL H  
SCALE 2:1



DETAIL J  
SCALE 2:1



DETAIL K  
SCALE 2:1



DETAIL L  
SCALE 2:1

PART N.	DF001	AISI304	DETECTOR FLANGE	1
DRAWING		MATERIAL	DENOMINATION	Q.TY
Gen. Tol. for undimensioned dimension: ISO 2768-mk-E		Geometrical tolerance: ISO 8015 - E		Roughness: ISO 1302
Istituto Nazionale di Fisica Nucleare Sezione di Ferrara		Designer: V. Carassiti Approver:	on Pula Techno-Scienze Via Saragat 1 - 41100 Ferrara Tel. 053274241	
PAX	Scale: 1	Date: 18/12/2014	Document: detector-flange-dwg1	
DETECTOR				