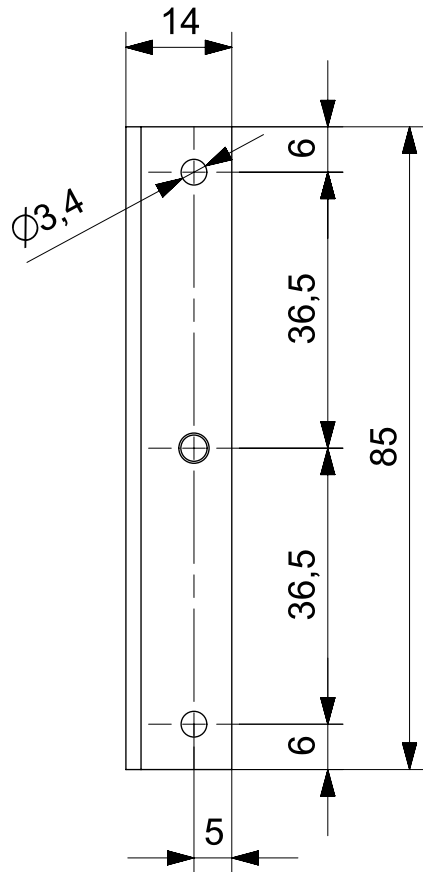
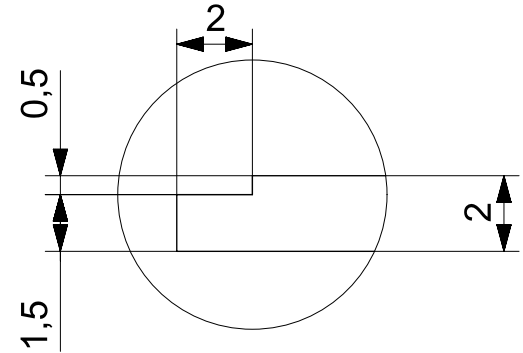
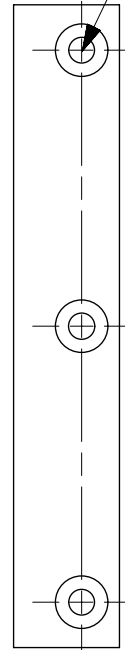


All dimension in:
 mm cm m in ft

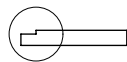
Rev.N	Revision note	Date	Signature




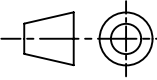
SEDE PER VITE M3
 TESTA SVASATA



DETAIL A
 SCALE 5:1



A

	PQ-L3_01	SHAPAL	PAX-PCB-CLAMPER2-L3	4
PART N.	DRAWING	MATERIAL	DENOMINATION	Q.TY
Gen. Tol. for untoleranced dimension: ISO 2768-mk-E		Geometrical tolerance: ISO 8015 - E		Roughness: ISO 1302
 Istituto Nazionale di Fisica Nucleare Sezione di Ferrara			Designer V. CARASSITI Approved	c/o Polo Tecnico-Scientifico Blocco C - Studio 107 Via Saragat 1 - 44100 Ferrara Tel 0532974281 e-mail: carassiti@fe.infn.it
PAX		Experiment/Project	Scale 1:1	Date 16/04/2014
DETECTOR			Size A4	Sheet
			Num. of Sheet	Document no.
				File name