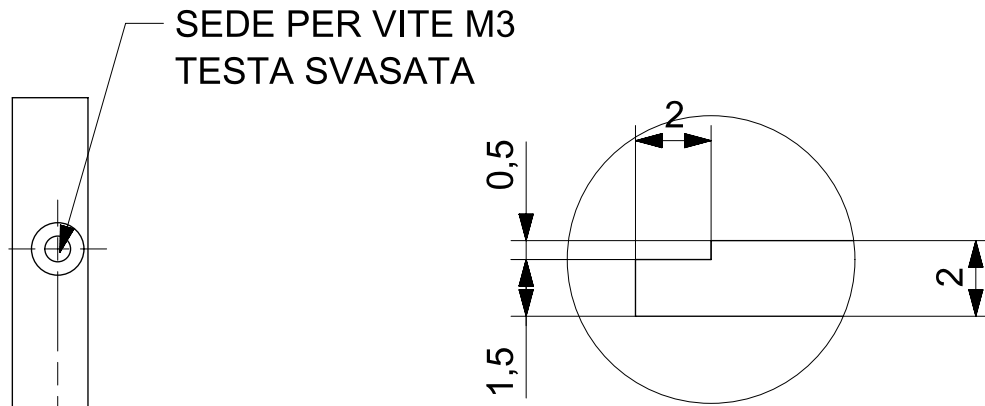
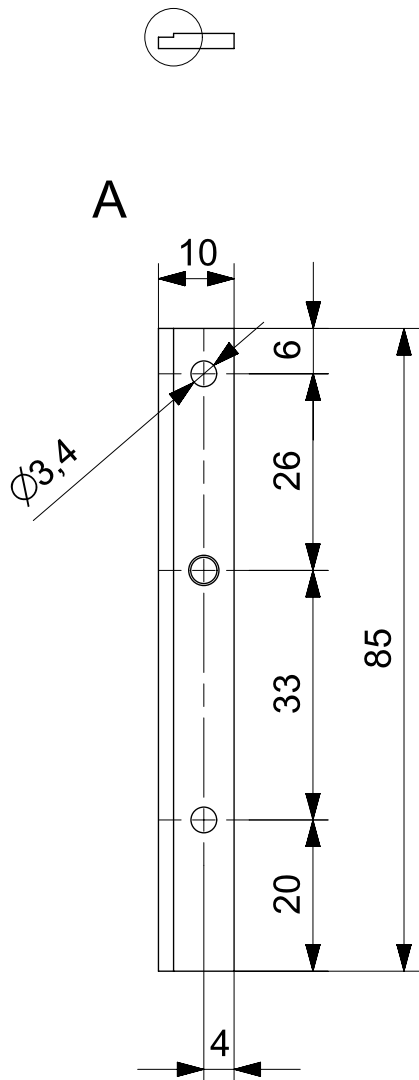

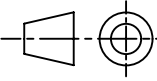


All dimension in:
 mm cm m in ft

Rev.N	Revision note	Date	Signature



DETAIL A
 SCALE 5:1

	PQ-L3_01_1	SHAPAL	PAX-PCB-CLAMPER-L3	2	
PART N.	DRAWING	MATERIAL	DENOMINATION	Q.TY	
Gen. Tol. for untoleranced dimension: ISO 2768-mk-E		Geometrical tolerance: ISO 8015 - E		Roughness: ISO 1302	
 Istituto Nazionale di Fisica Nucleare Sezione di Ferrara		Designer	V. CARASSITI		
		Approved	c/o Polo Tecnico-Scientifico Blocco C - Studio 107 Via Saragat 1 - 44100 Ferrara Tel 0532974281 e-mail: carassiti@fe.infn.it		
PAX	DETECTOR	Experiment/Project	Scale	Date	Document no.
			1:1	16/04/2014	
		Size	A4	Sheet	
		Num. of Sheet		File name	