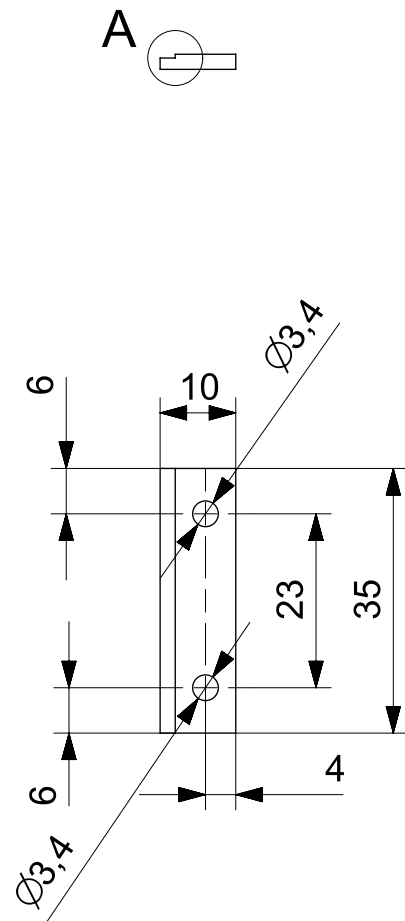
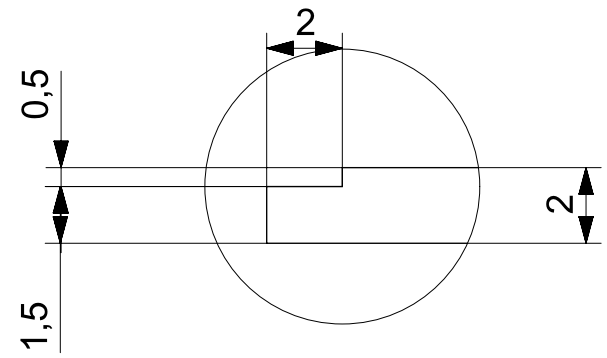
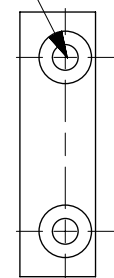


All dimension in:
 mm cm m in ft


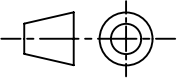
Rev.N	Revision note	Date	Signature



SEDE X VITE M3
 TESTA SVASATA



DETAIL A
 SCALE 5:1

	PQ-L2_01	SHAPAL	PAX-PCB-CLAMPER-L2	8
PART N.	DRAWING	MATERIAL	DENOMINATION	Q.TY
Gen. Tol. for untoleranced dimension: ISO 2768-mk-E		Geometrical tolerance: ISO 8015 - E		Roughness: ISO 1302
 Istituto Nazionale di Fisica Nucleare Sezione di Ferrara		Designer	c/o Polo Tecnico-Scientifico Blocco C - Studio 107 Via Saragat 1 - 44100 Ferrara Tel 0532974281 e-mail: carassiti@fe.infn.it	
		Approved		
PAX	DETECTOR	Experiment/Project	Scale 1:1	Date 16/04/2014
			Size A4	Document no.
			Num. of Sheet	File name