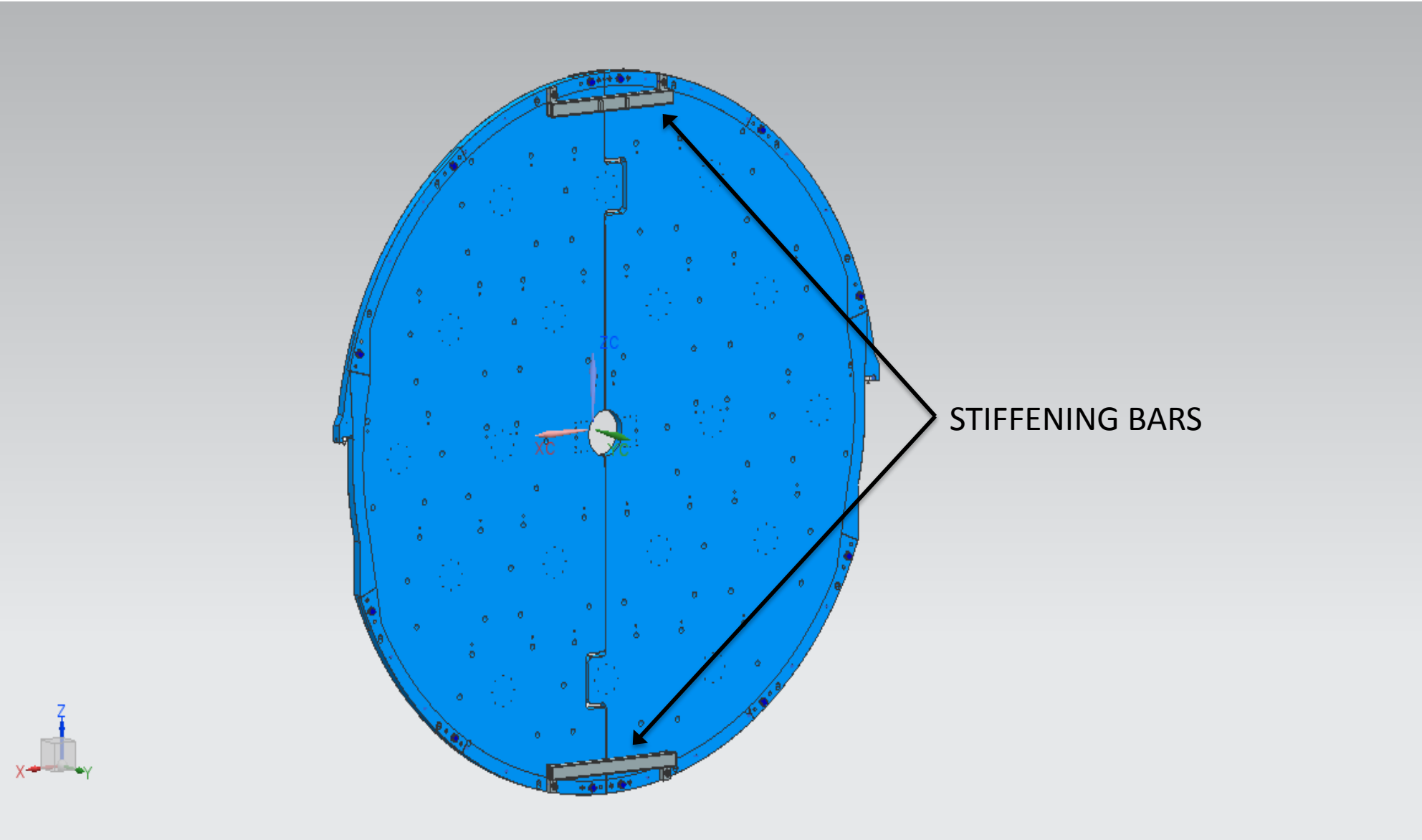


# NA62 RICH STATUS REPORT

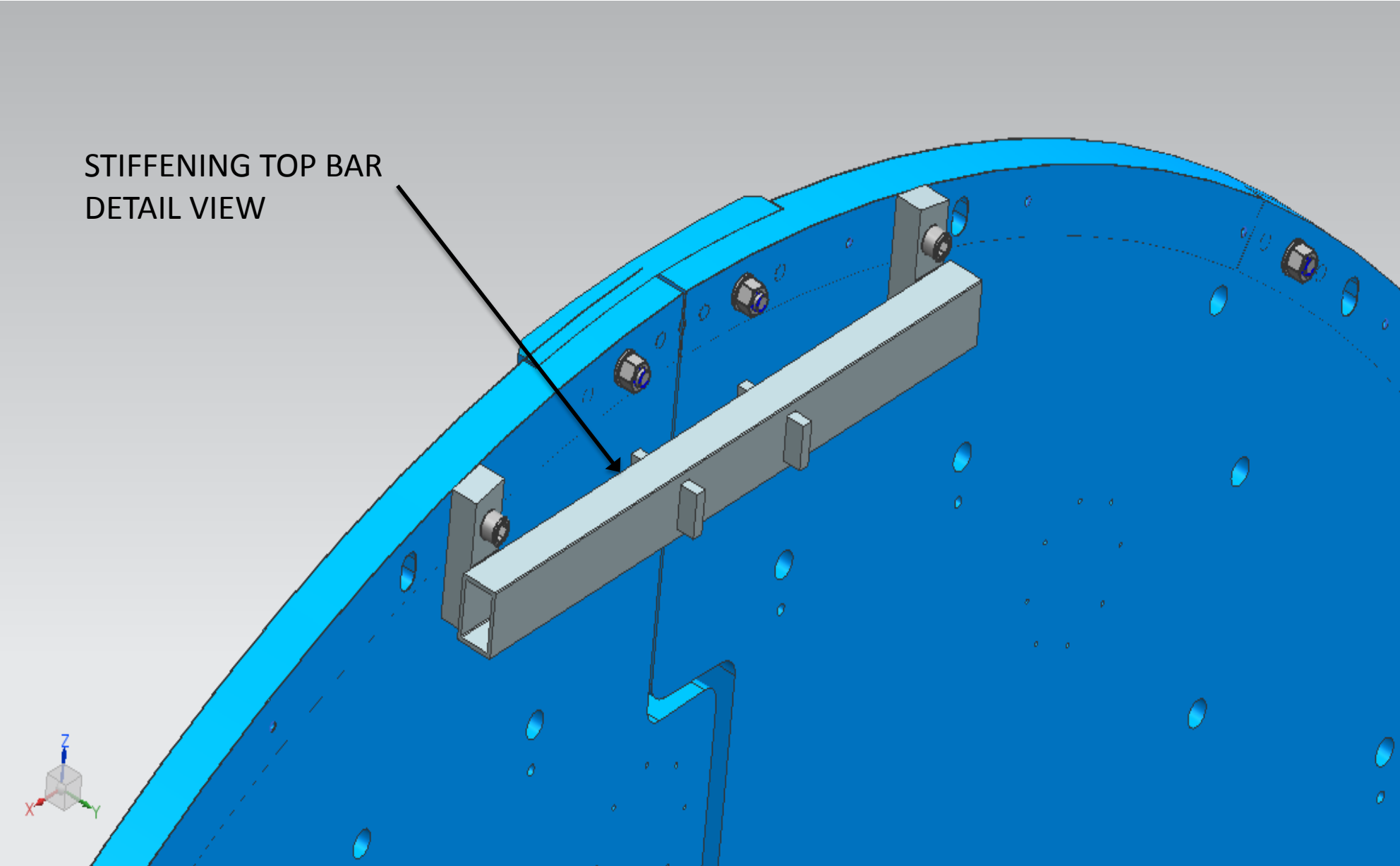
## ASSEMBLY TOOLING

# ASSEMBLING & HANDLING - 1

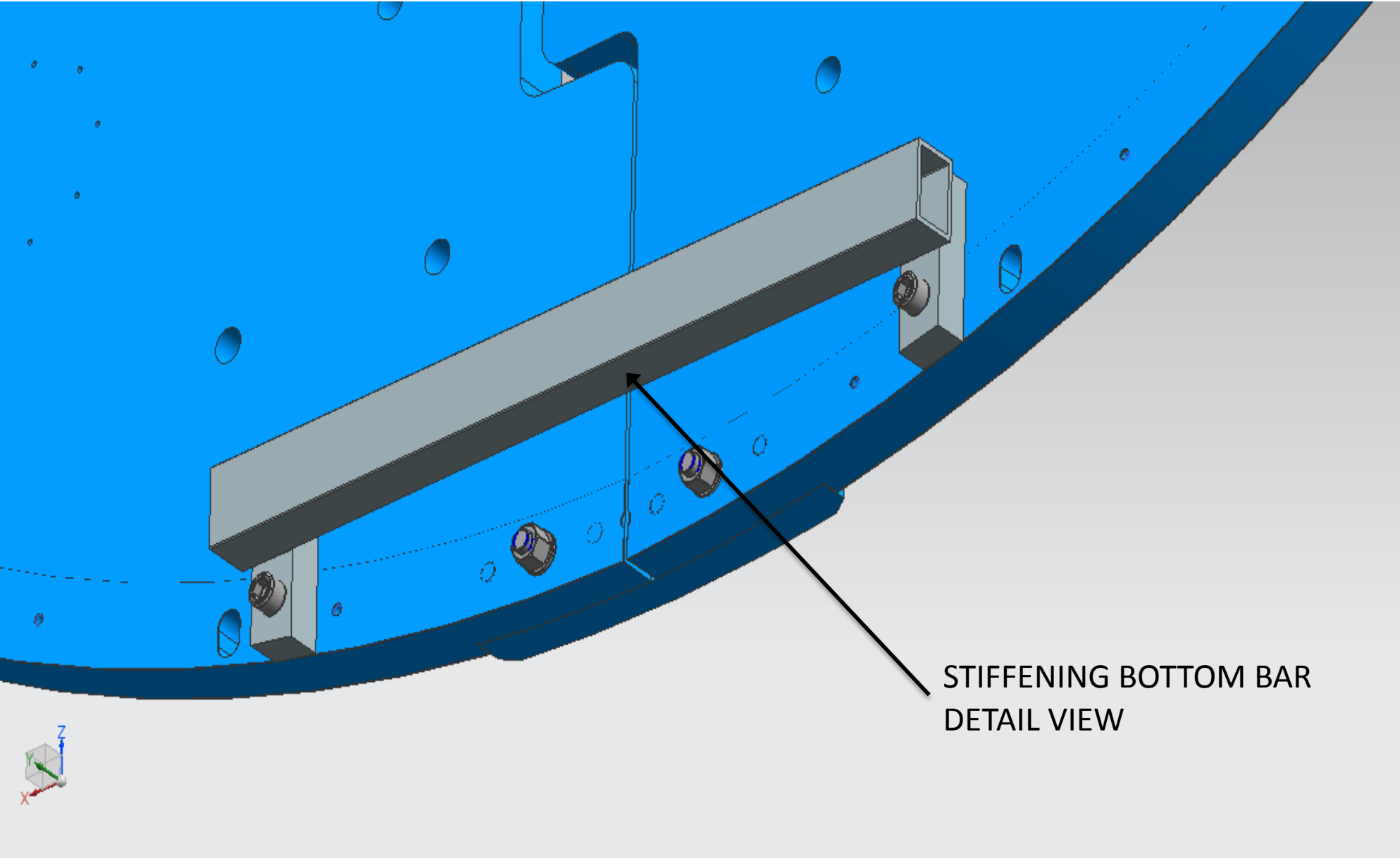


# ASSEMBLING & HANDLING - 2

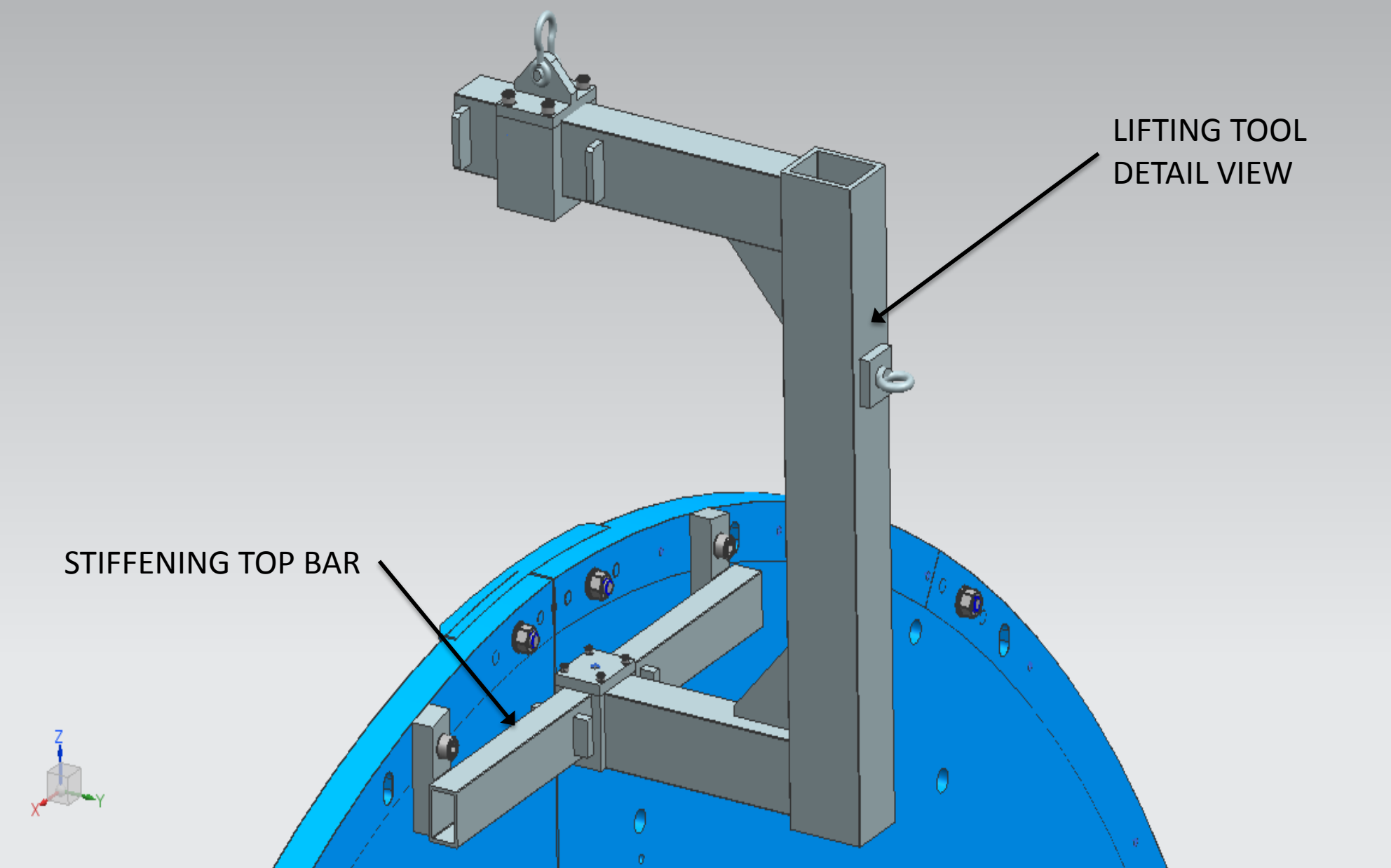
STIFFENING TOP BAR  
DETAIL VIEW



ASSEMBLING & HANDLING - 3

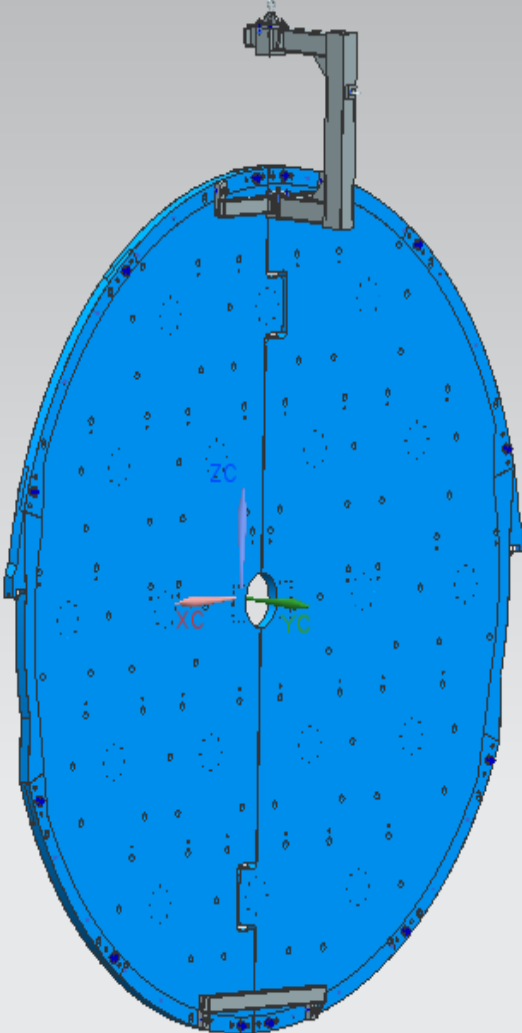


# ASSEMBLING & HANDLING - 4



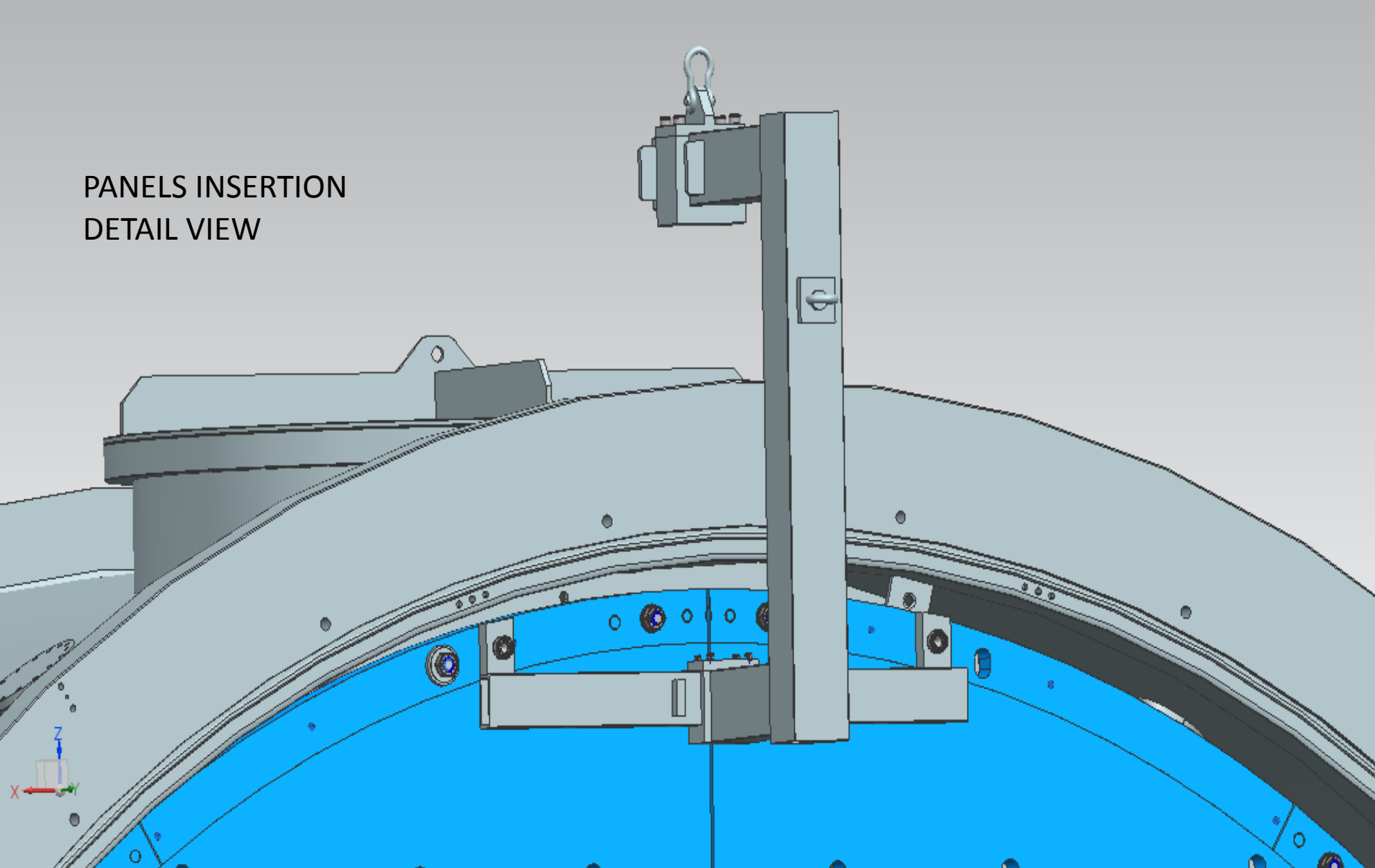
# ASSEMBLING & HANDLING - 5

LIFTING TOOL  
OVERALL VIEW

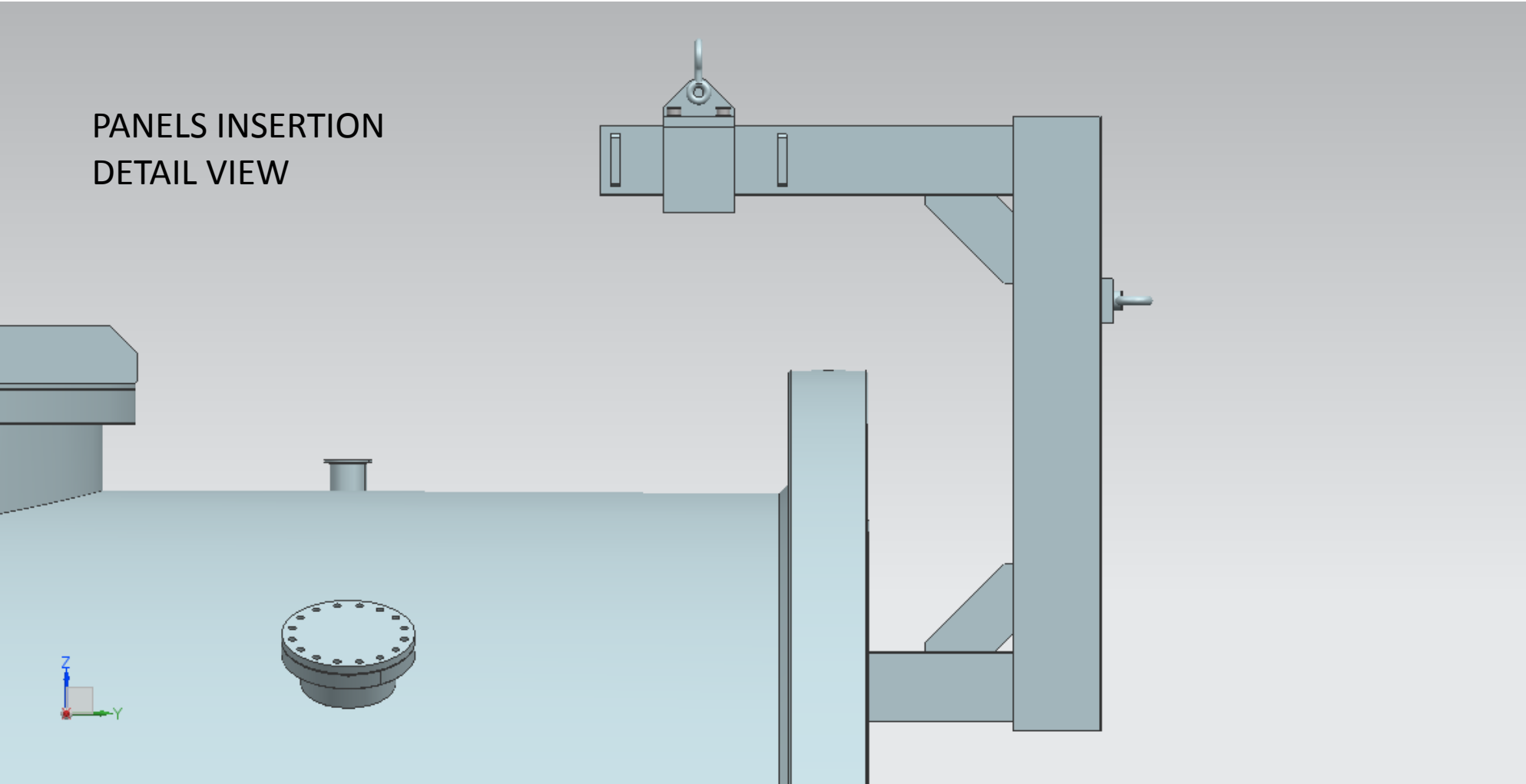


# ASSEMBLING & HANDLING - 6

PANELS INSERTION  
DETAIL VIEW



# ASSEMBLING & HANDLING - 7





# ASSEMBLING & HANDLING - 8

PANELS INSERTION  
OVERALL VIEW

