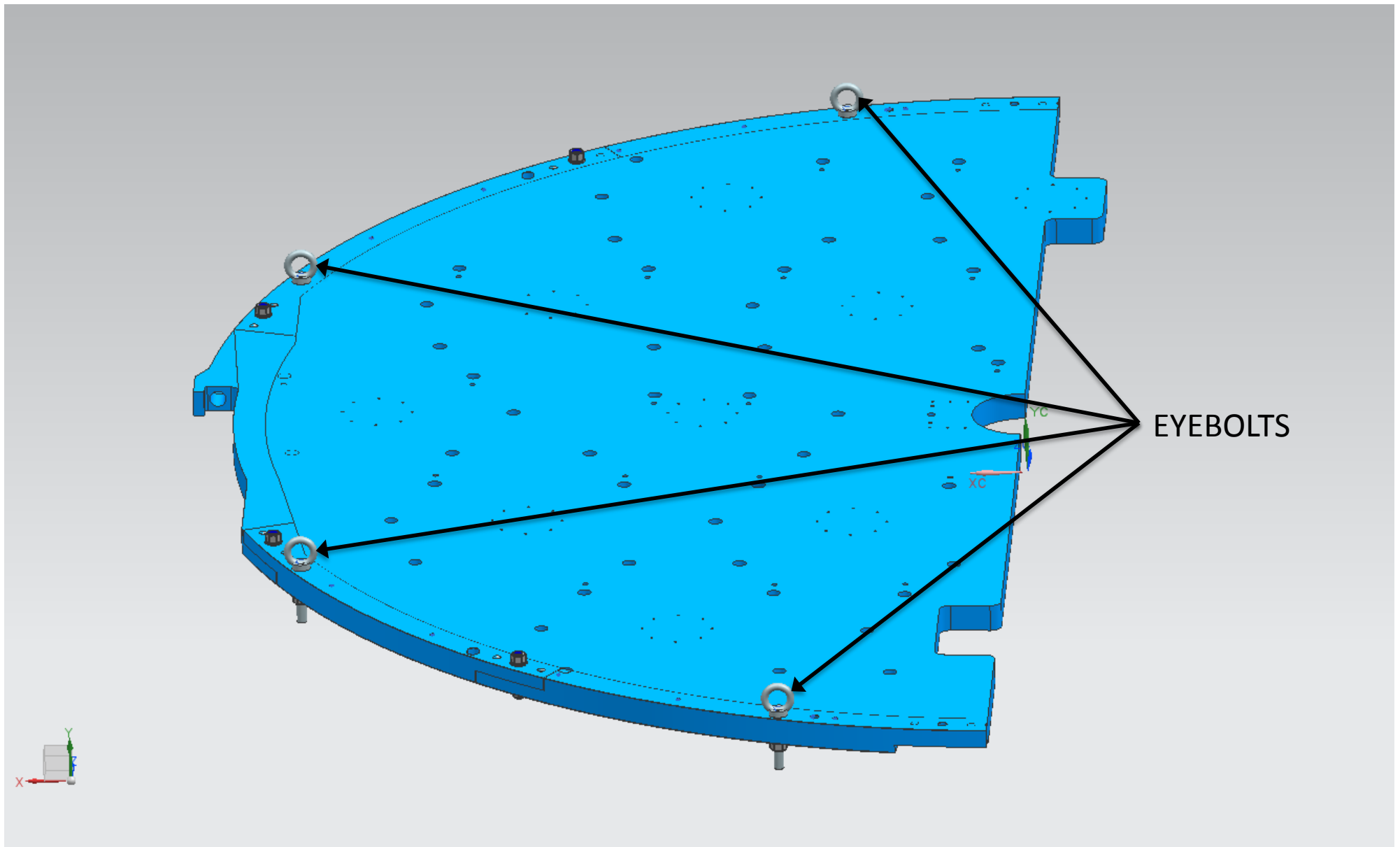


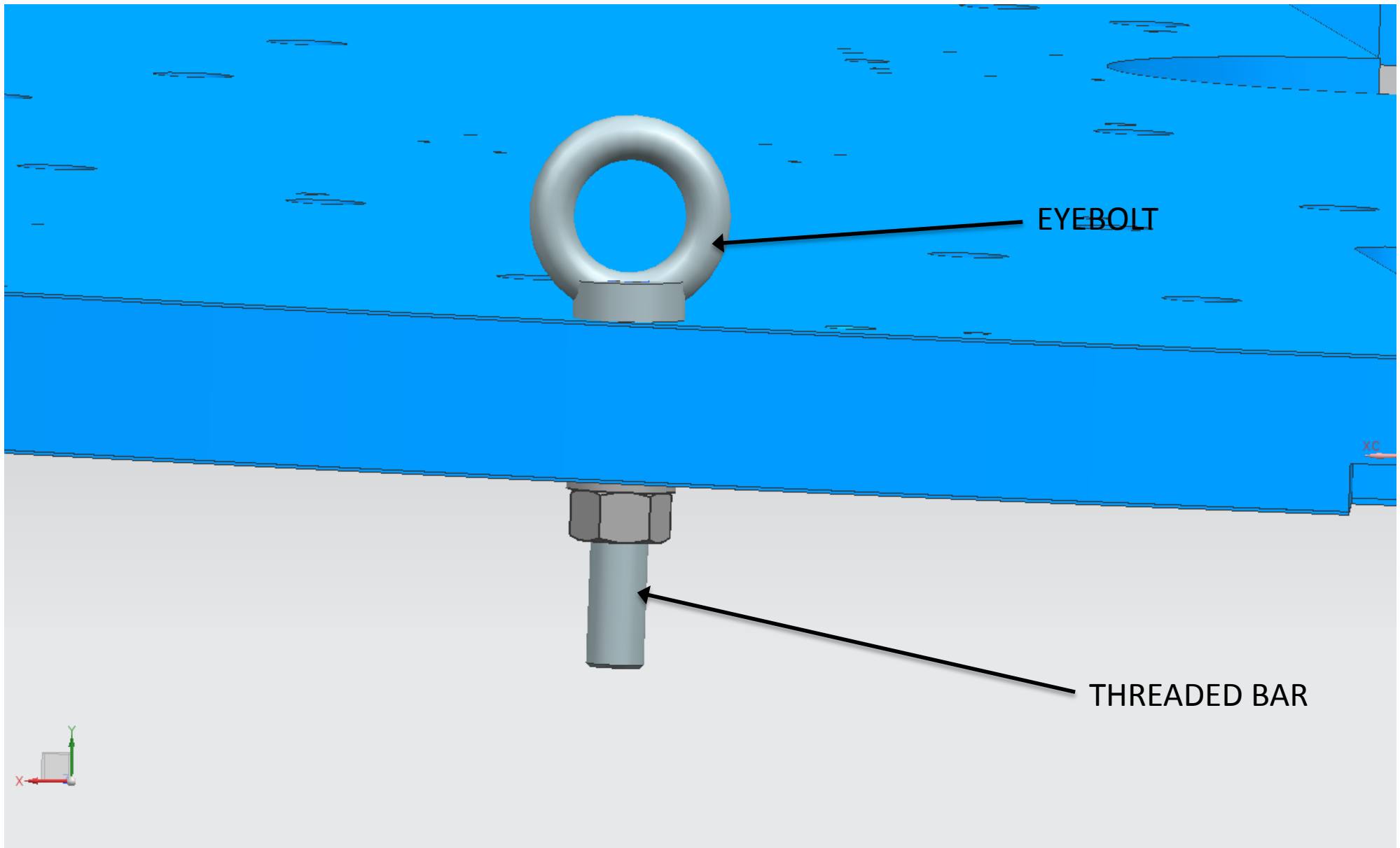
# NA62 RICH STATUS REPORT

## ASSEMBLY TOOLING - 1

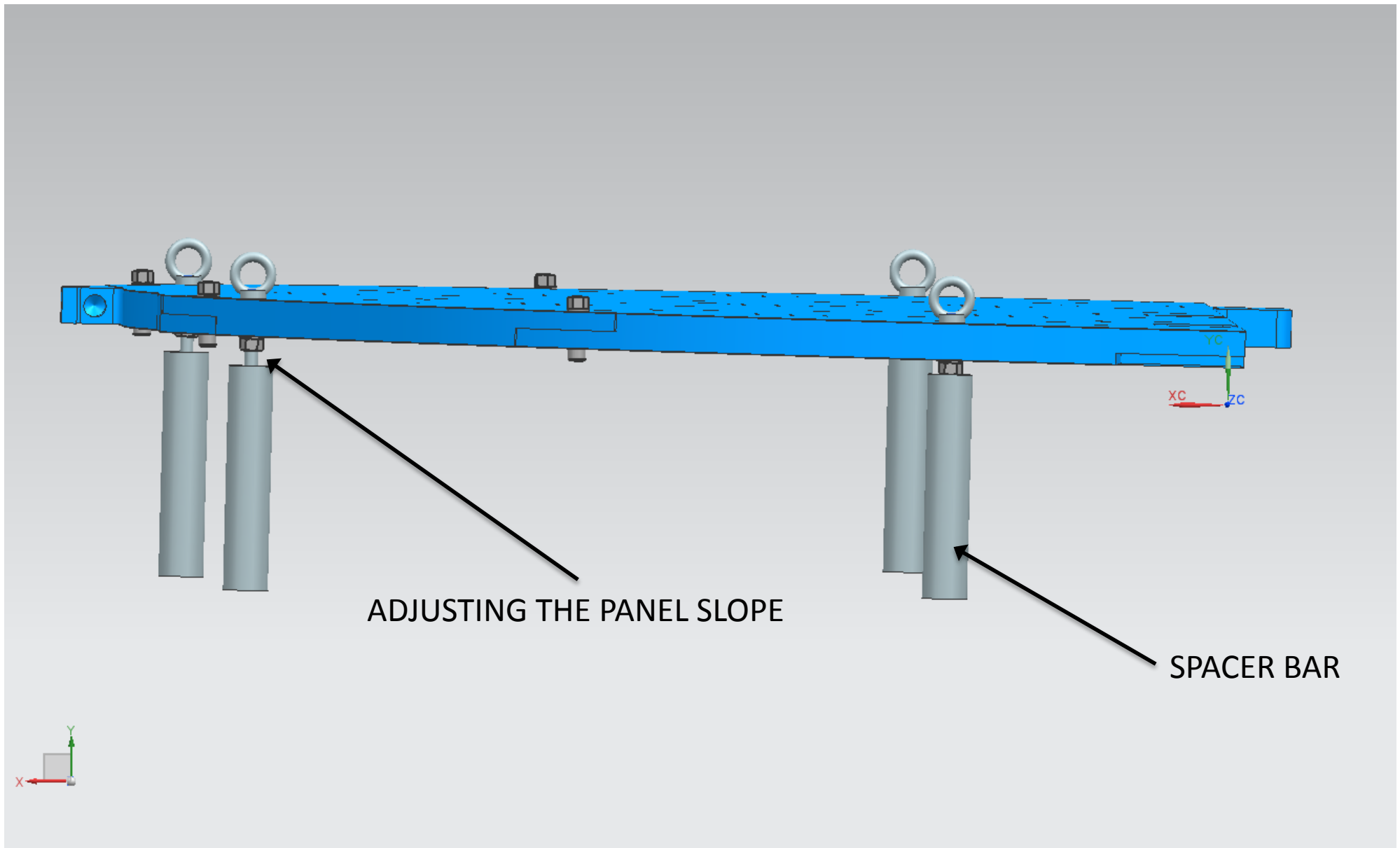
# LIFTING THE HONEYCOMB PANEL WHEN HORIZONTAL



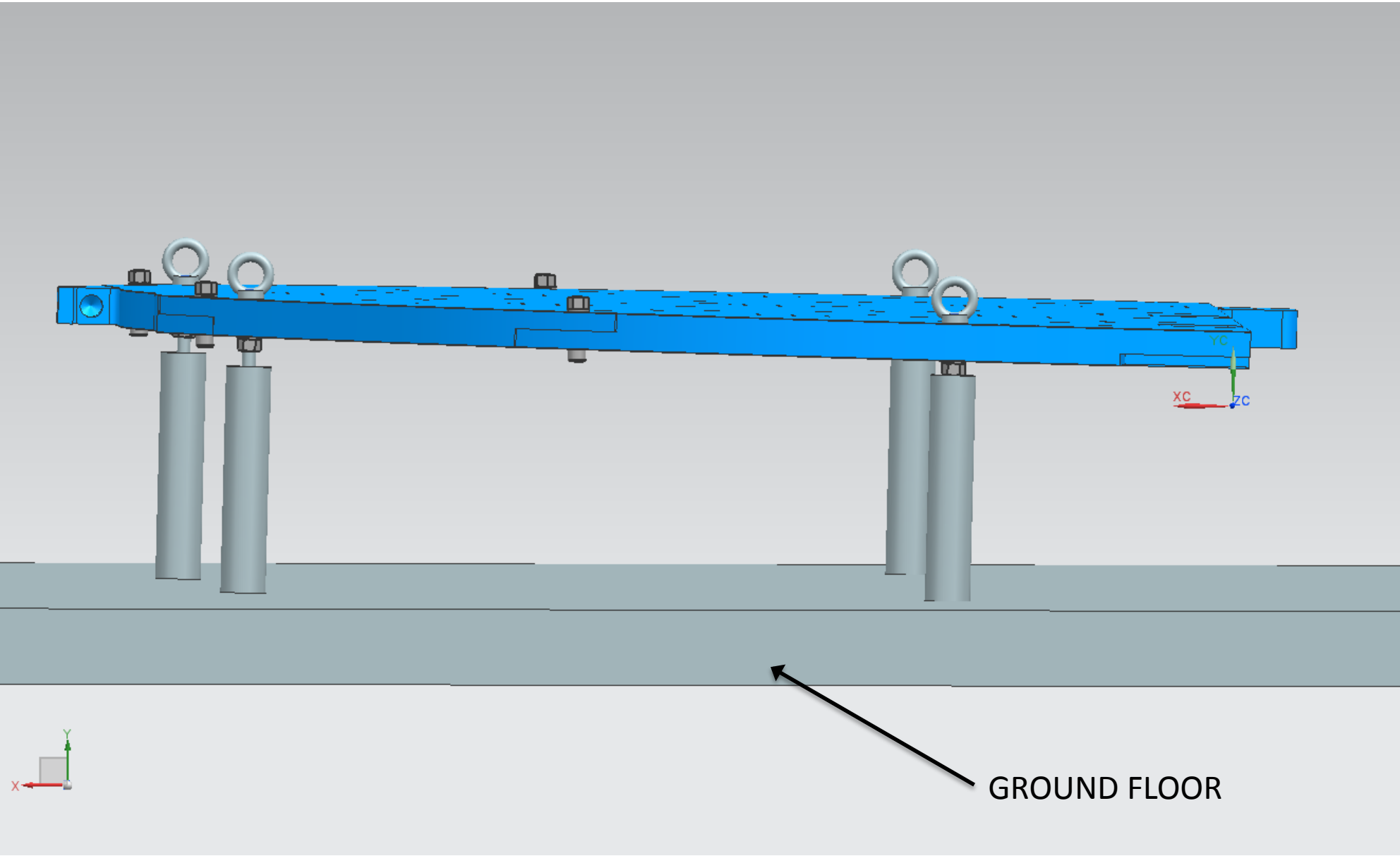
# LIFTING THE HONEYCOMB PANEL WHEN HORIZONTAL - DETAIL



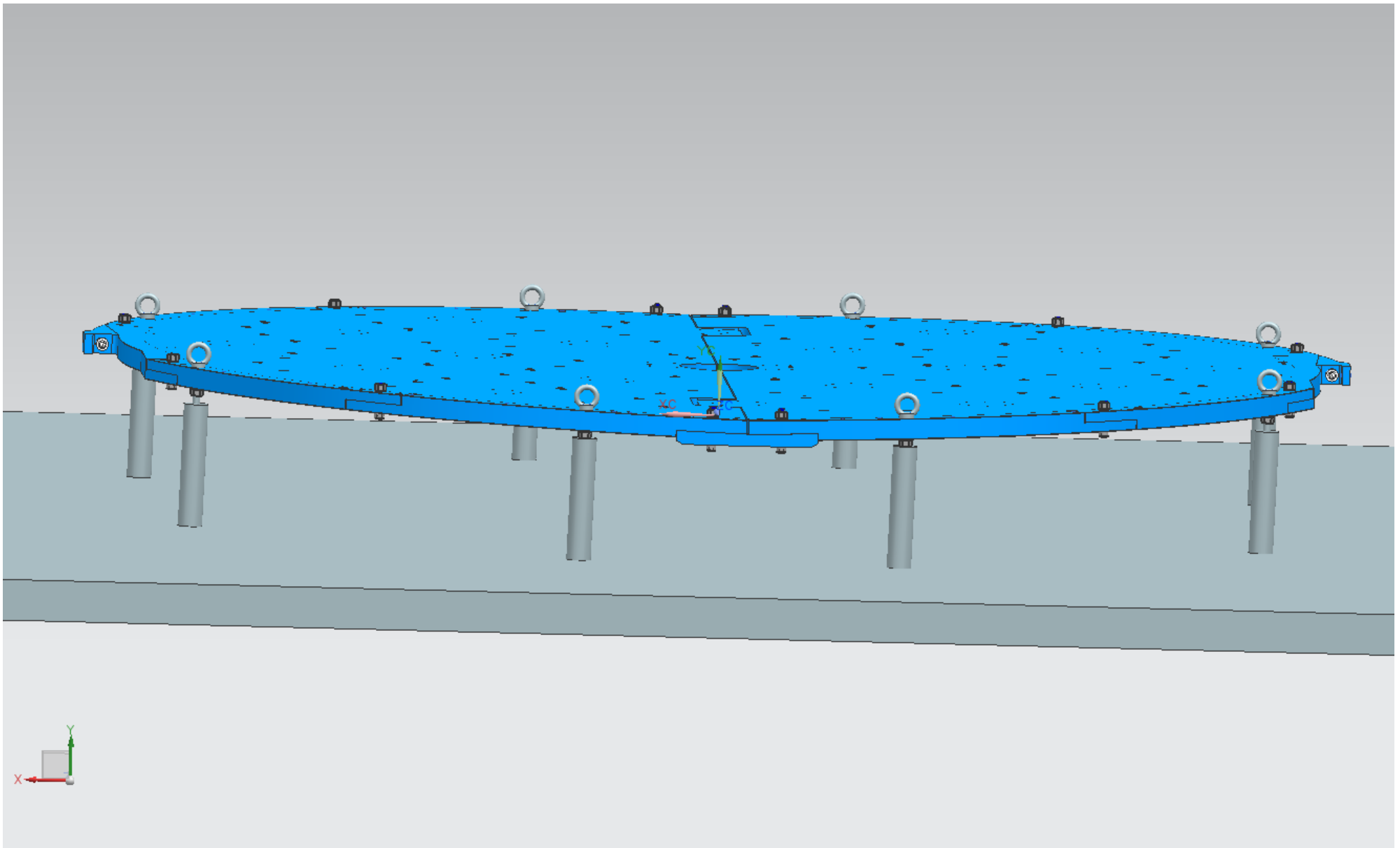
## ADDING THE SPACER BARS



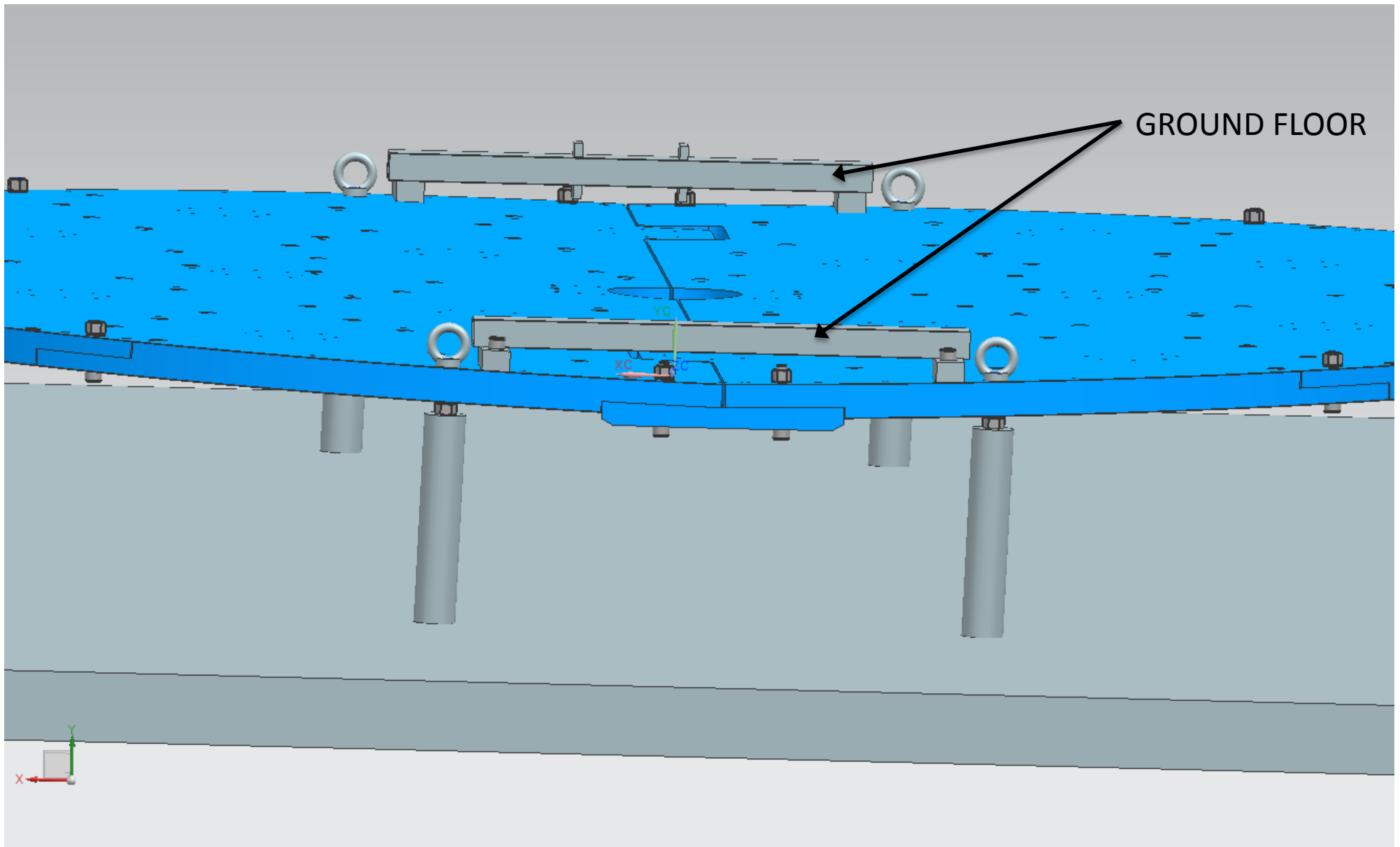
# THE HONEYCOMB PANEL ON THE GROUND FLOOR



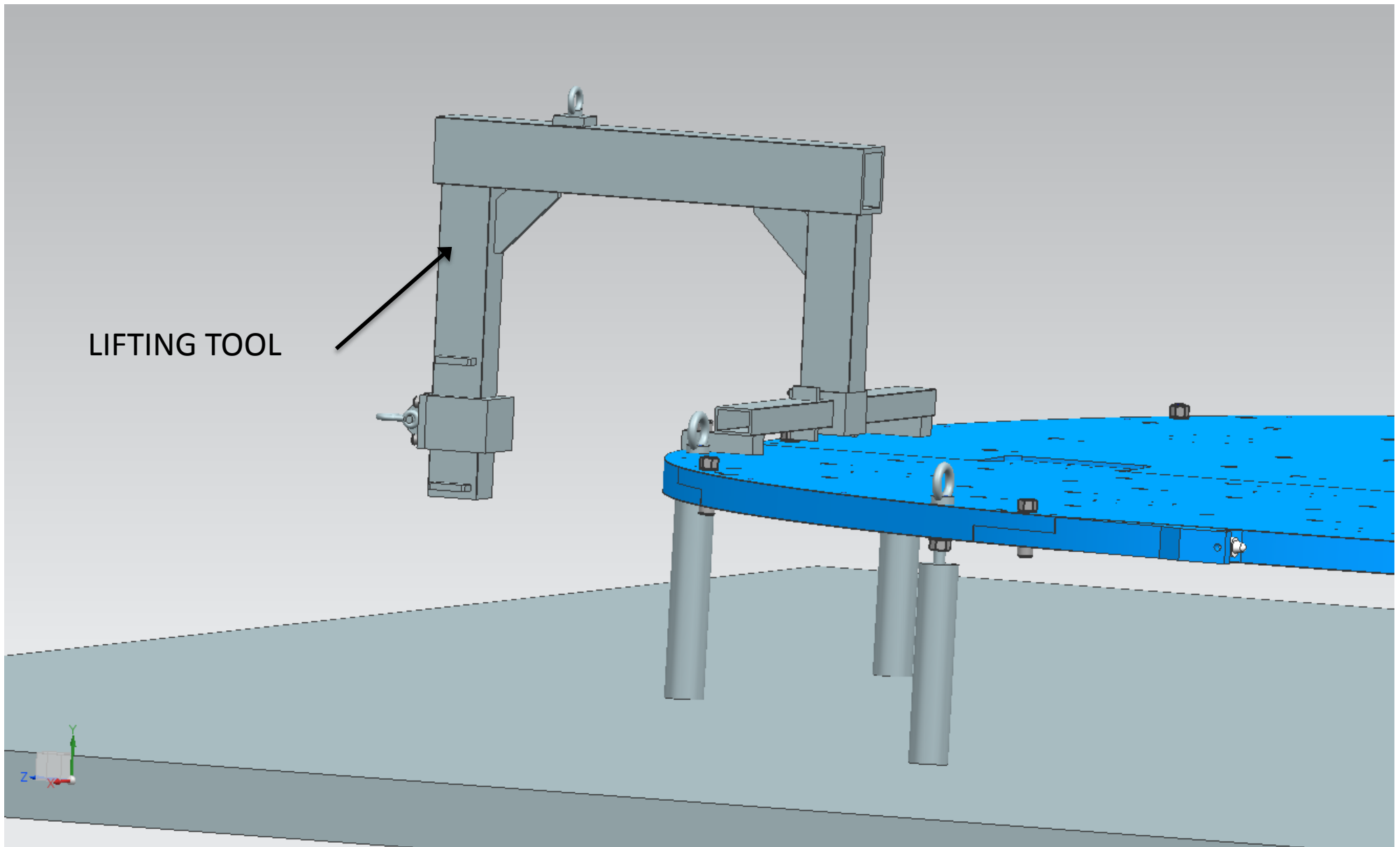
# ASSEMBLING THE TWO HALF PANELS



## ADDING THE STIFFENING BARS

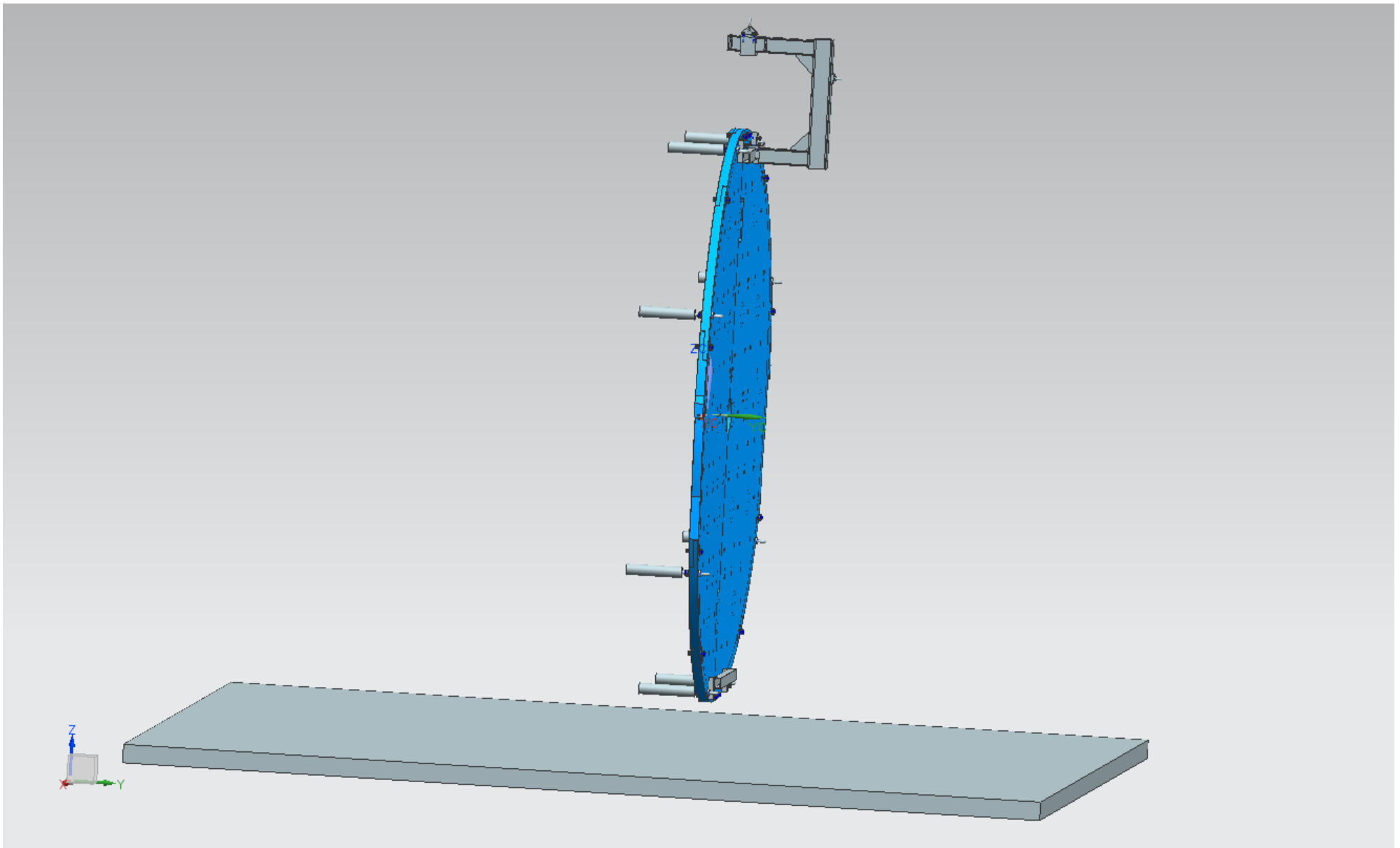


## ADDING THE LIFTING TOOL

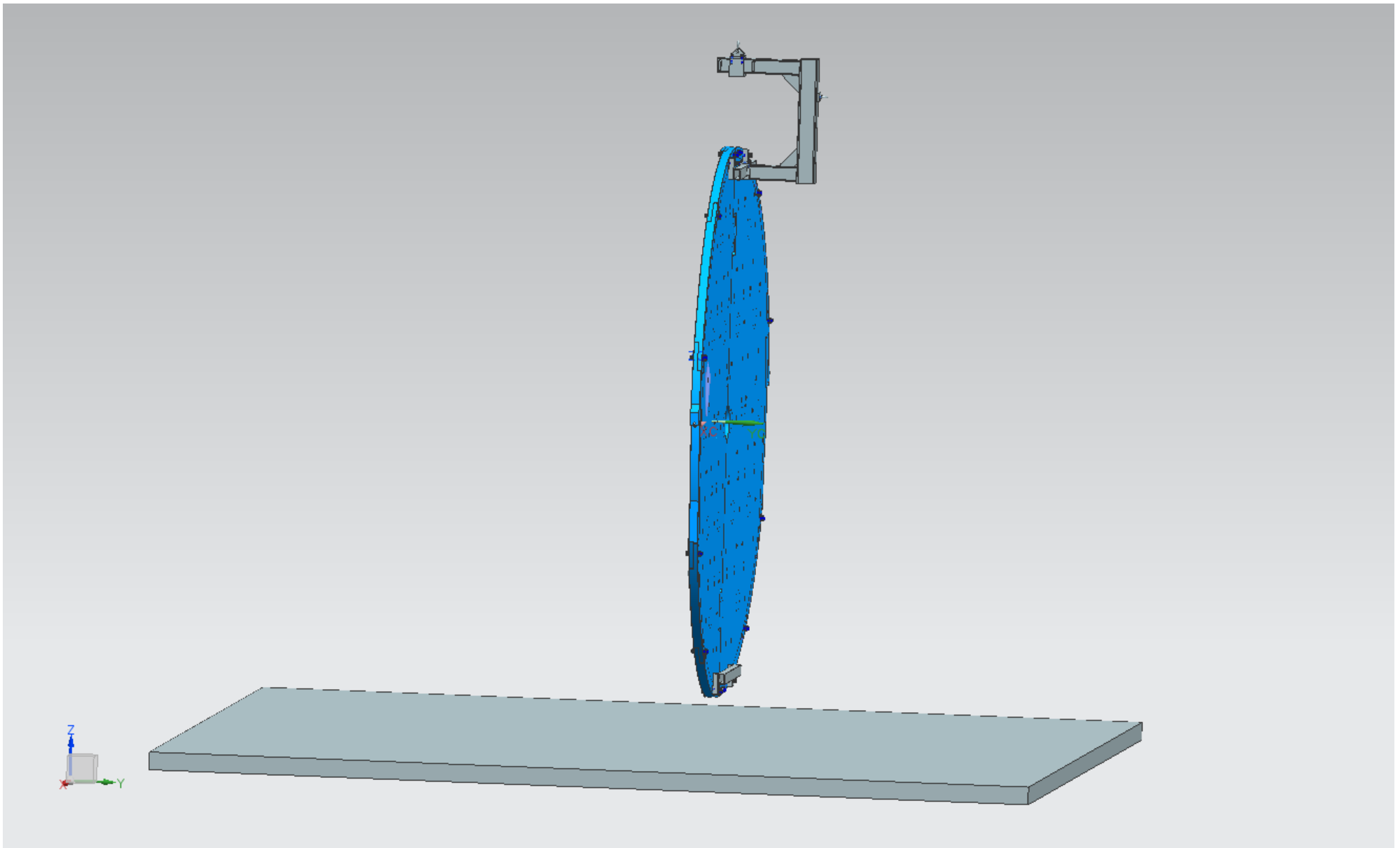




## LIFTING THE PANEL TO THE VERTICAL POSITION



## REMOVING SPACER BARS AND EYEBOLTS



## ADDING THE CONES

