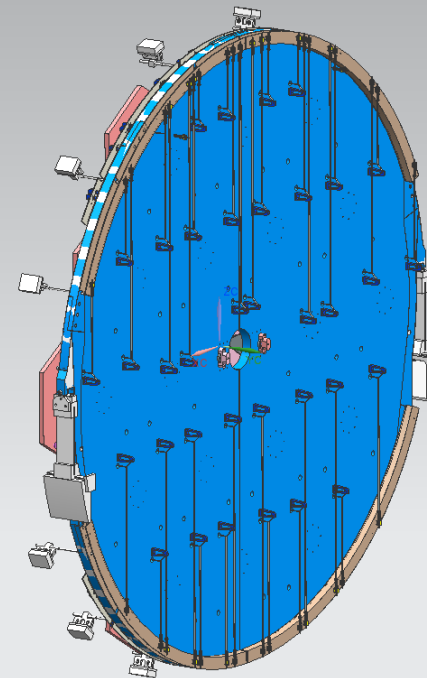
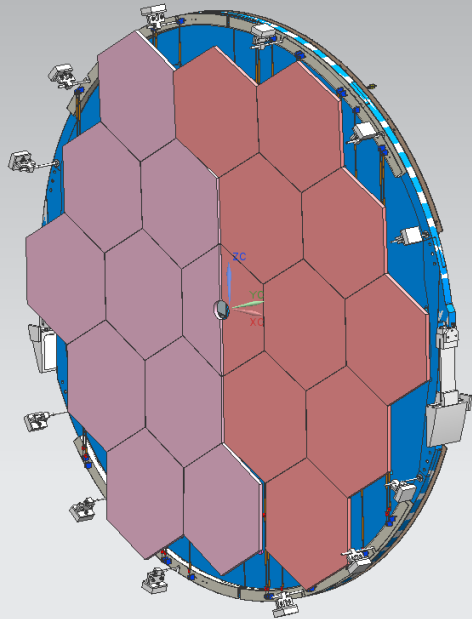


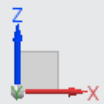
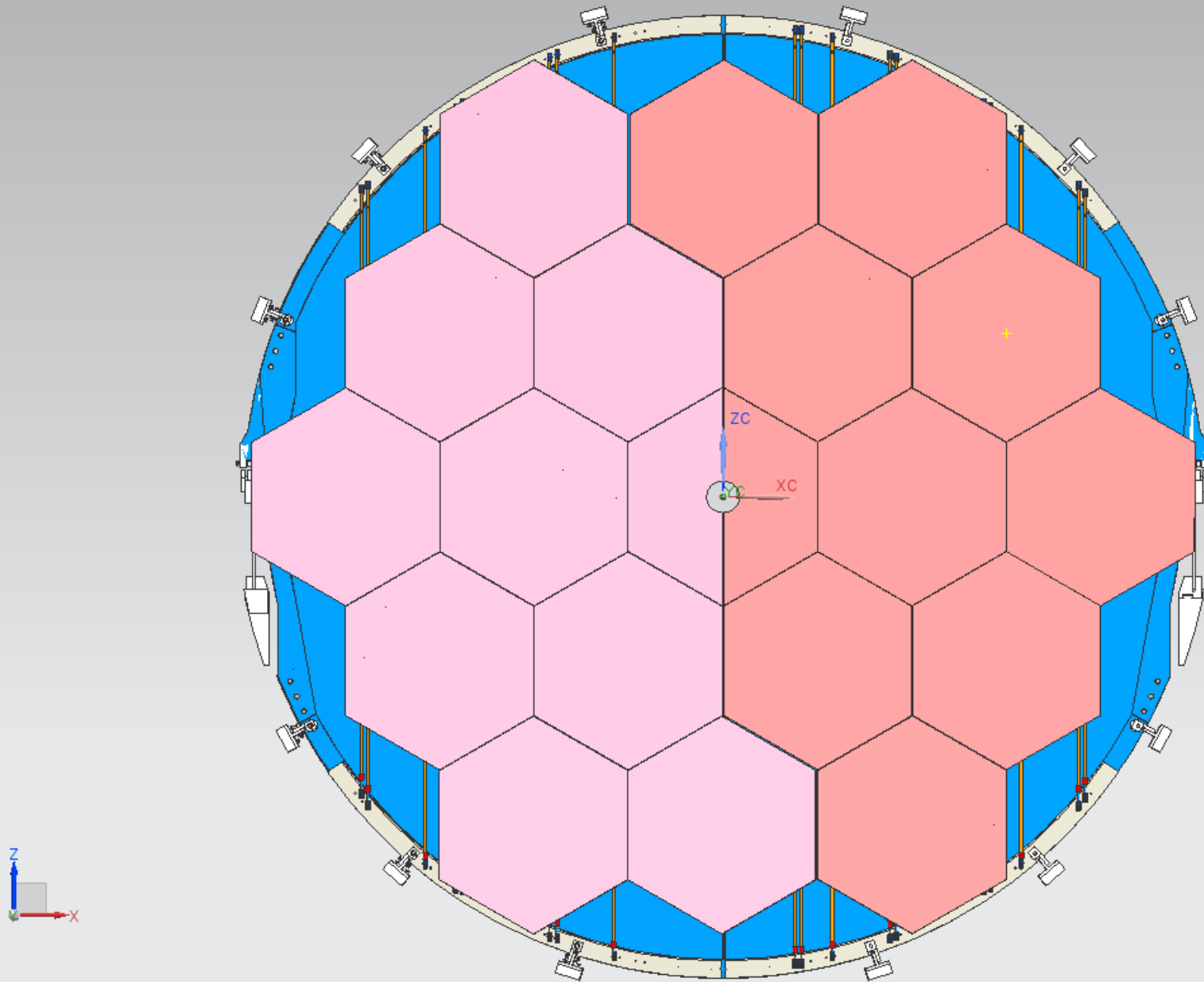
NA62 RICH

1

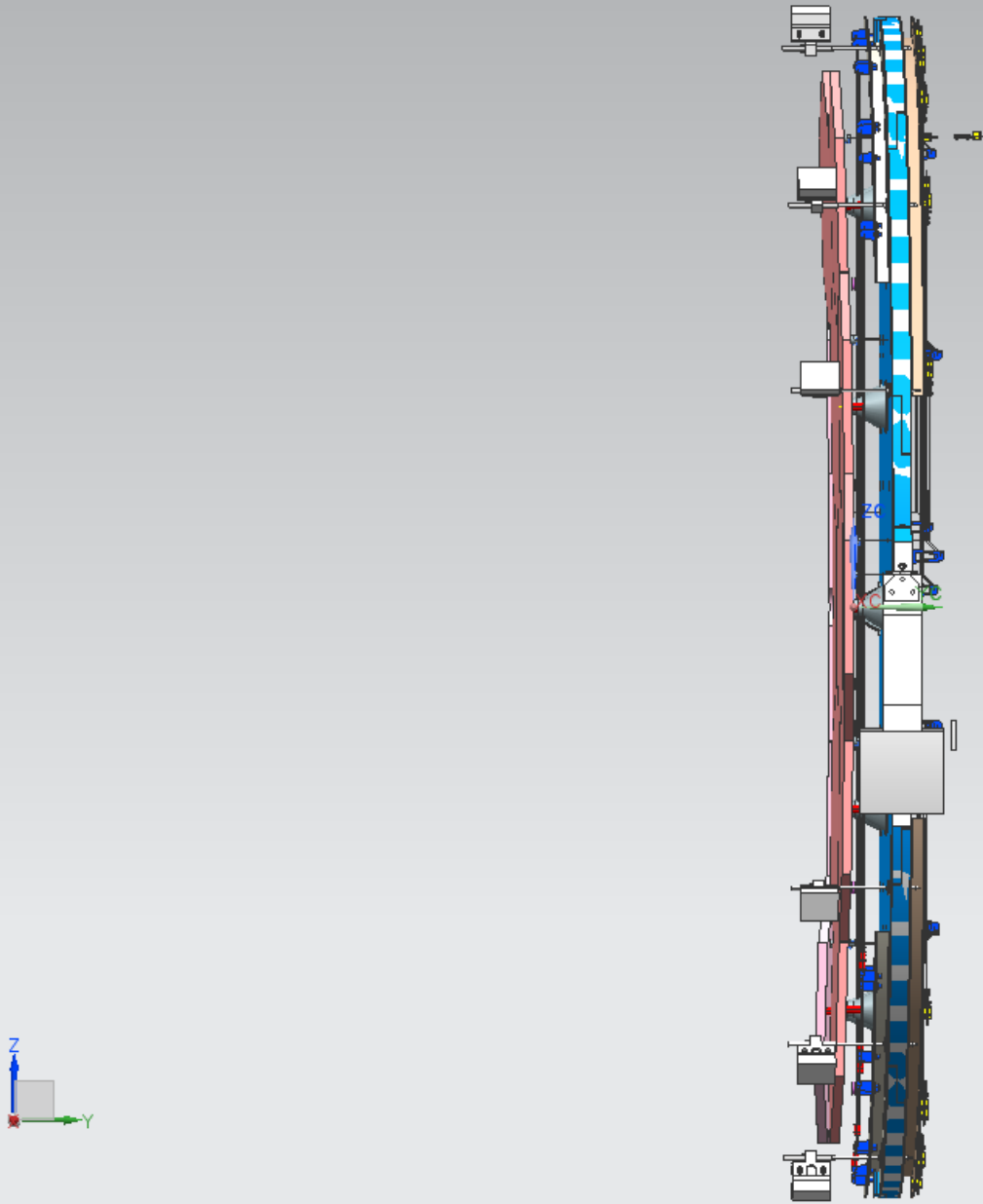


STATUS REPORT

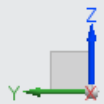
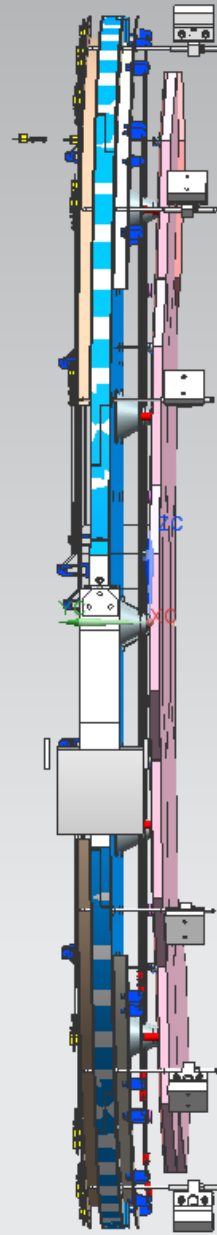
THE MIRRORS- FRONT VIEW



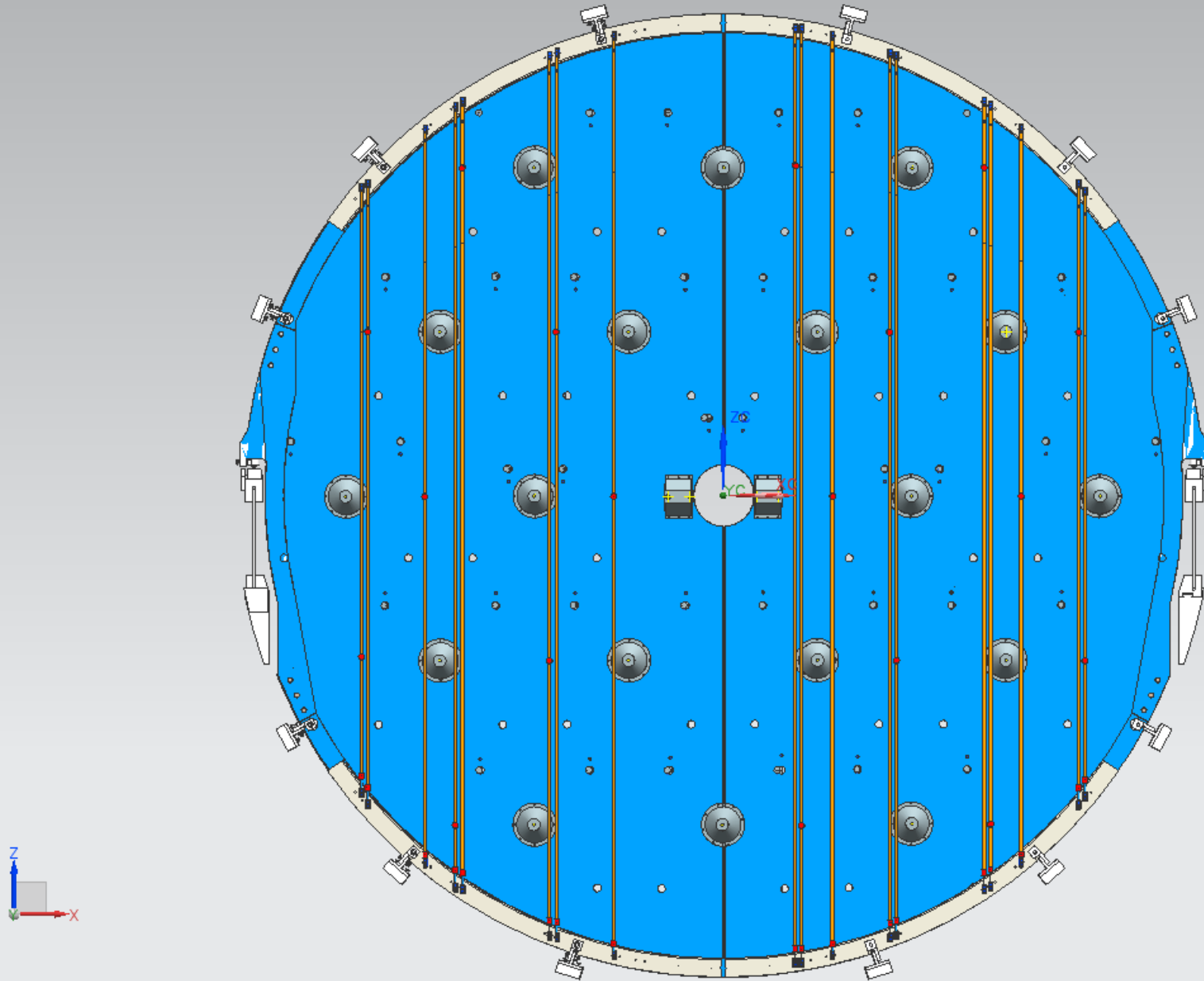
THE MIRRORS- SIDE VIEW RIGHT



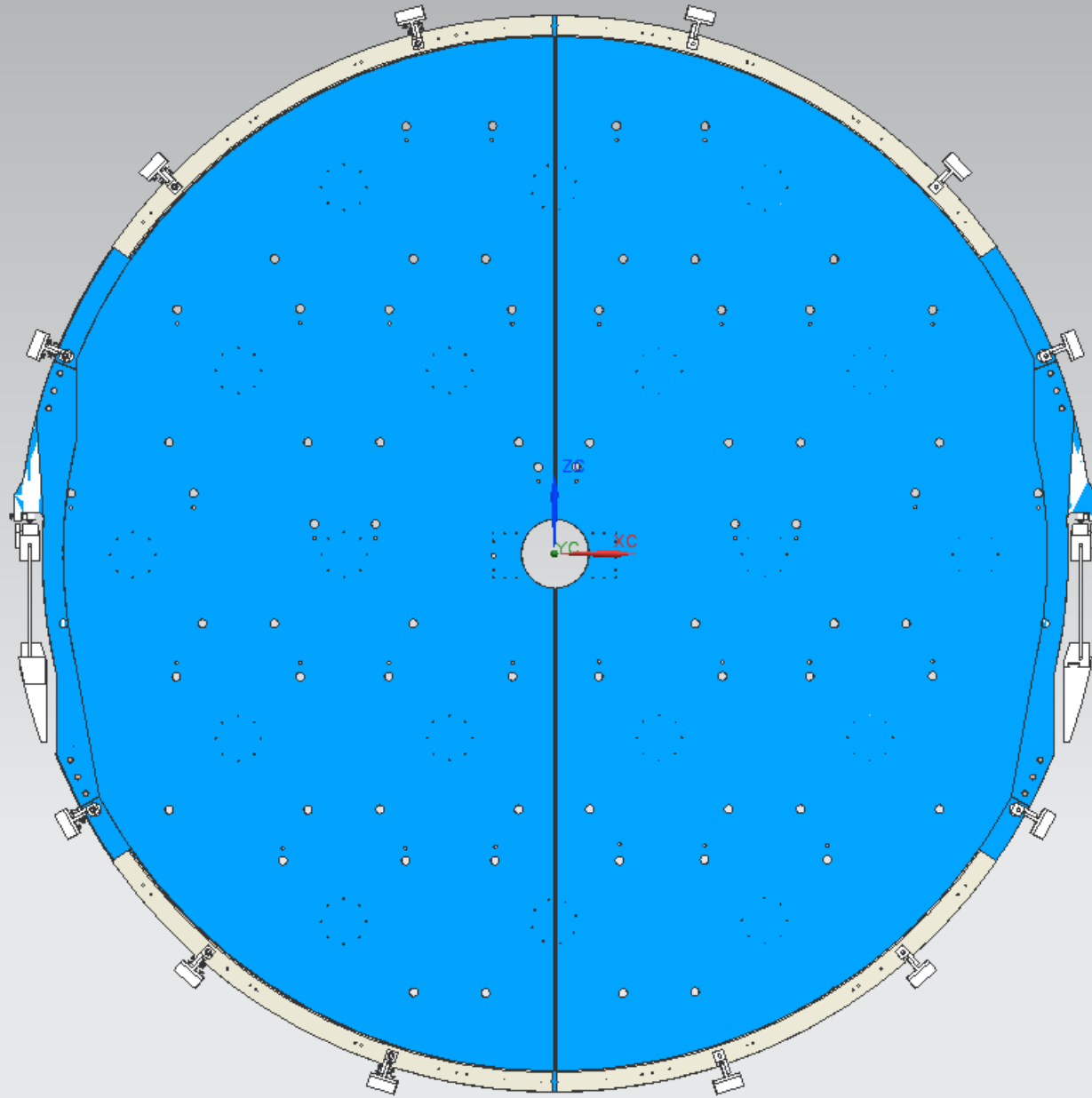
THE MIRRORS- SIDE VIEW LEFT



STABILIZING RIBBONS & MIRROR SUPPORTS



THE HOLES ON THE SUPPORTING PANELS



THE HOLES ON THE SUPPORTING PANELS - DETAIL

TENSIONING RIBBON

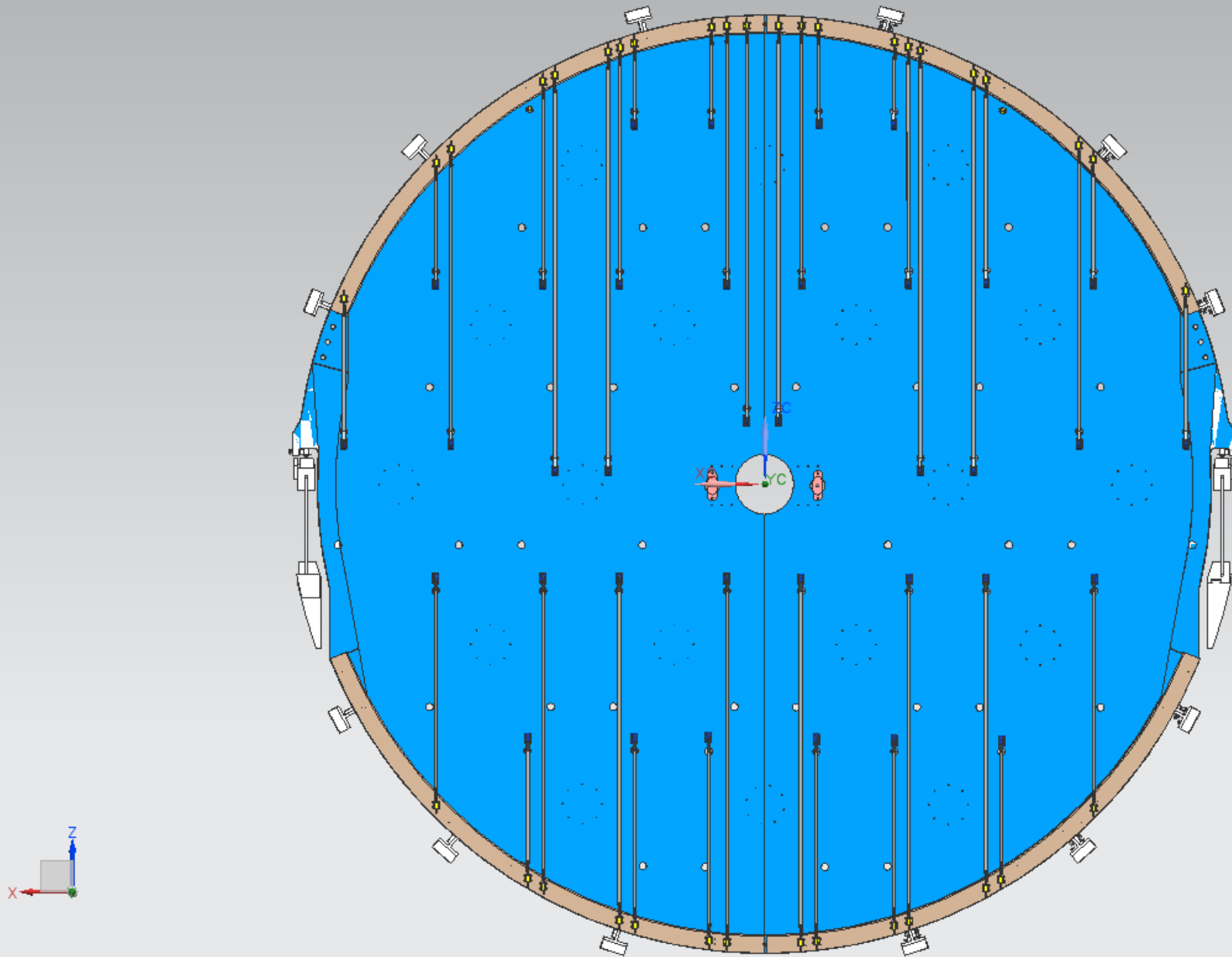
MIRROR SUPPORT (CONE)

TRANSMISSION SUPPORT

PLANE B

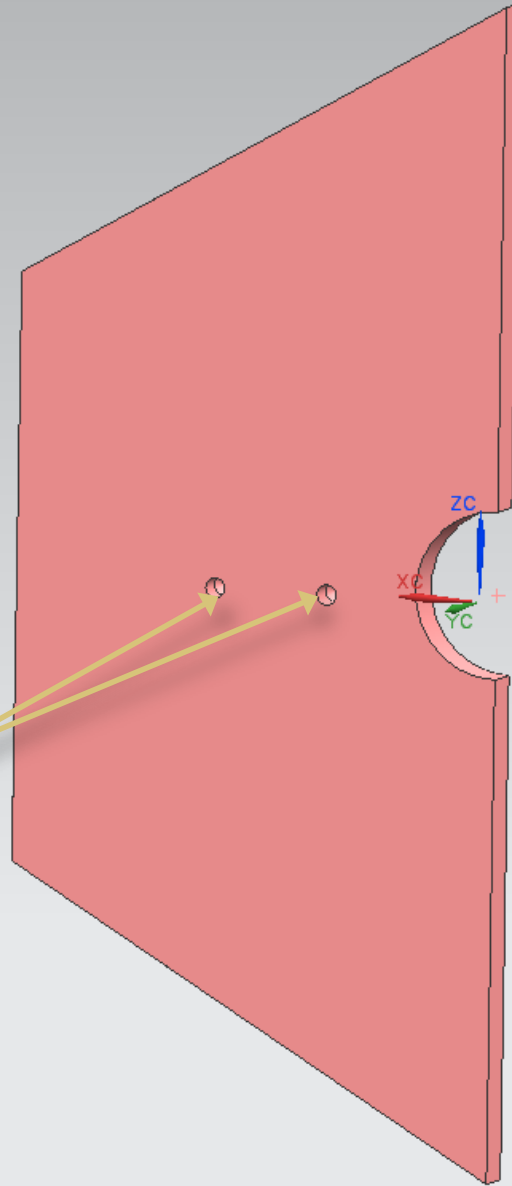


THE TENSIONING RIBBONS



THE HALF CENTRAL MIRROR

TWO DOWELS

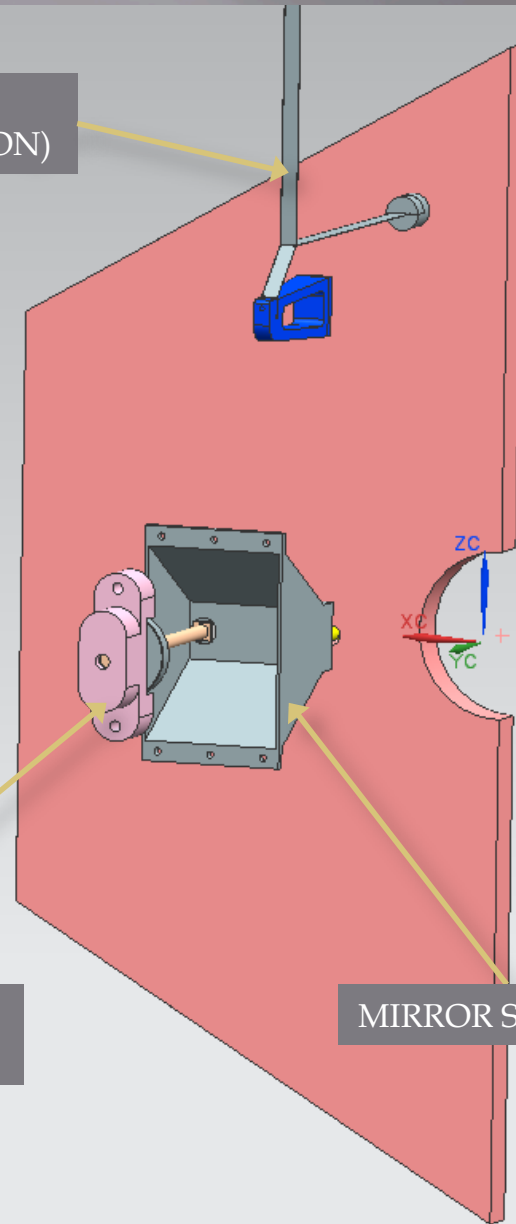
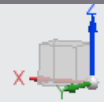


THE HALF CENTRAL MIRROR

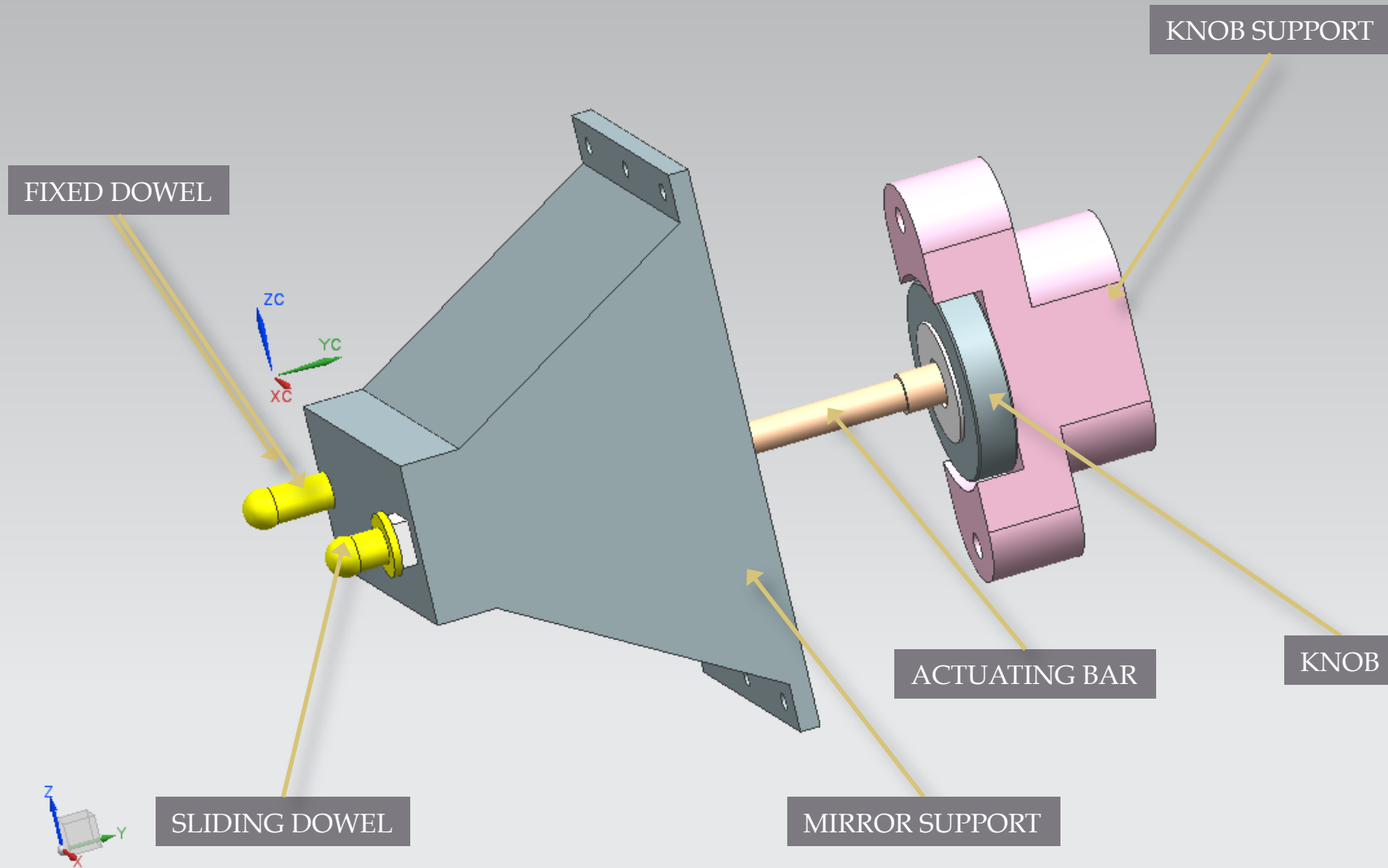
TENSIONING RIBBON
(HORIZONTAL AXIS ROTATION)

SLIDING DOWEL SYSTEM
(VERTICAL AXIS ROTATION)

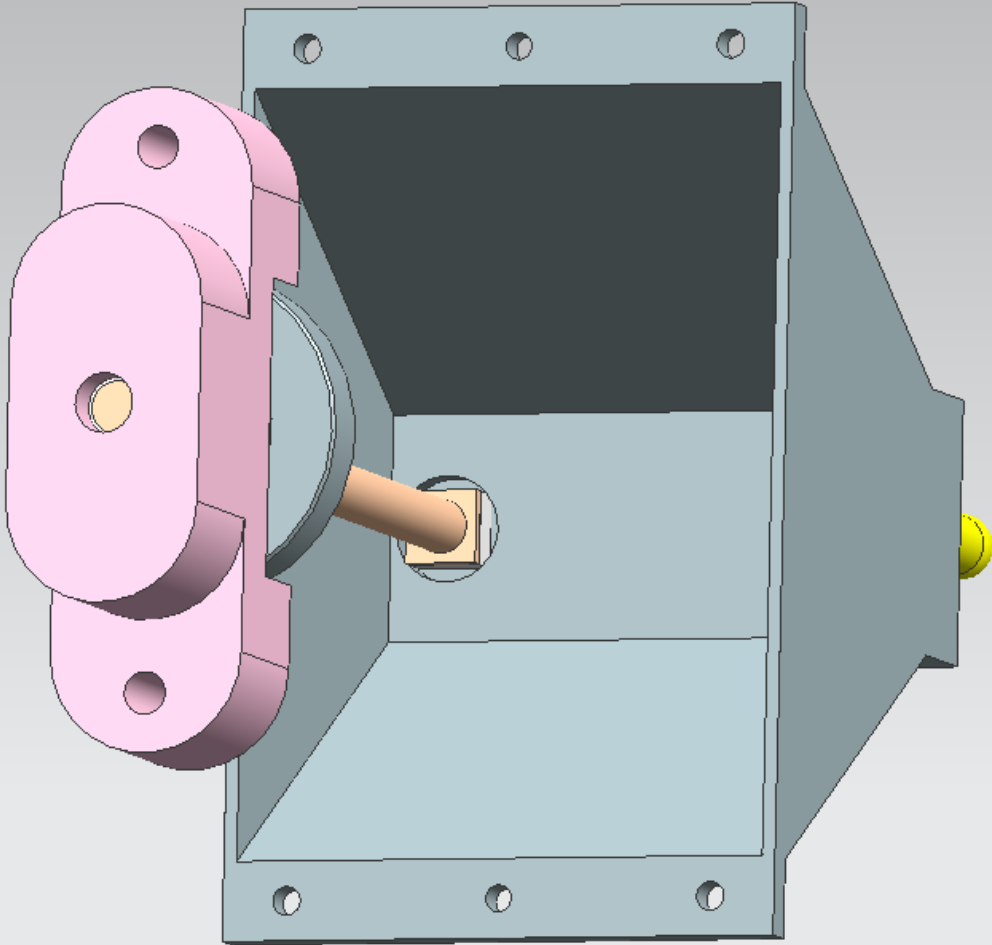
MIRROR SUPPORT



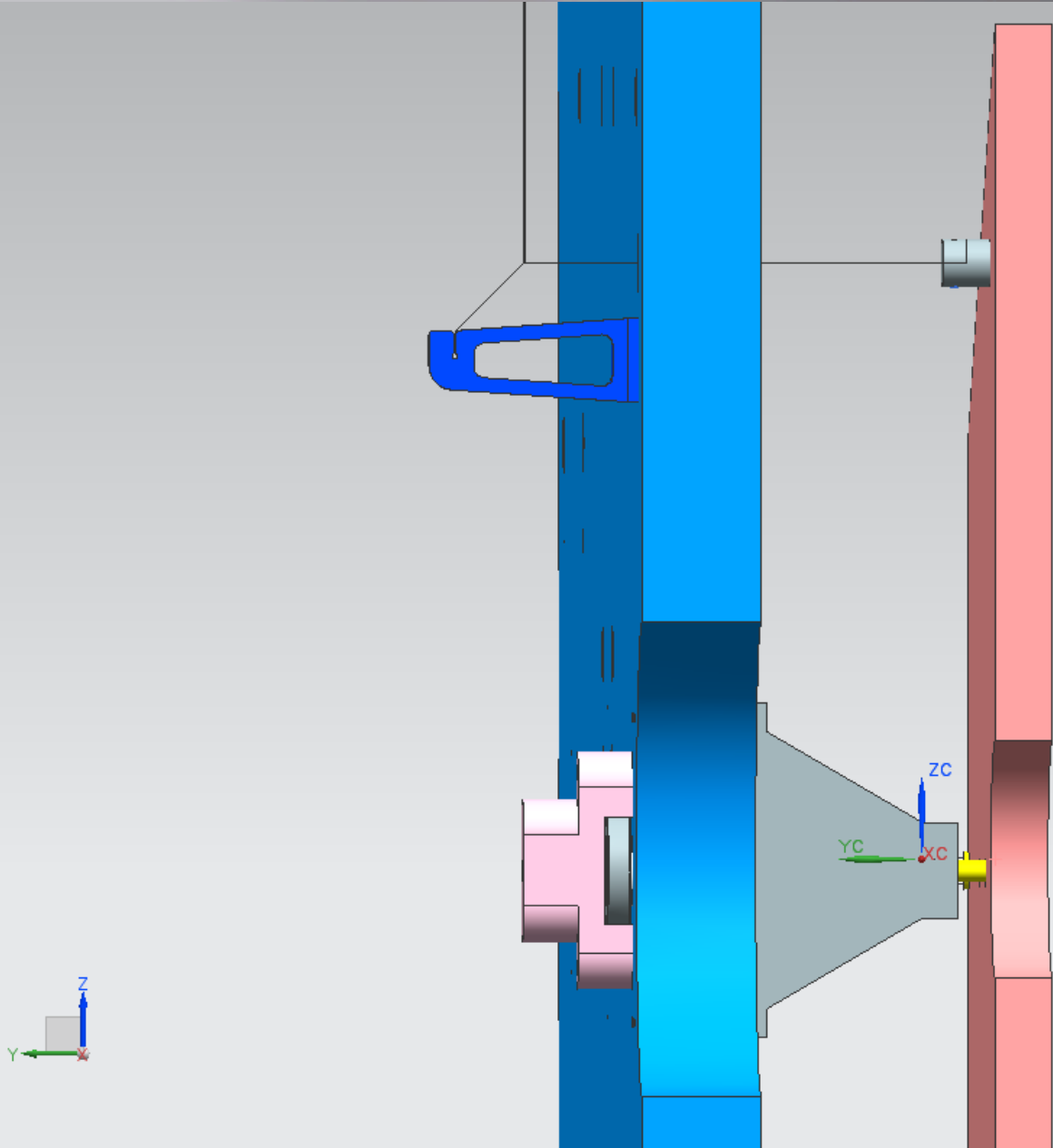
THE SLIDING DOWEL SYSTEM - DETAIL



THE SLIDING DOWEL SYSTEM - DETAIL



THE HALF MIRROR IN PLACE



THE TOOLING ASSEMBLING THE MIRROR - FINAL UPGRADE

