

1

2

3

4

A

A

B

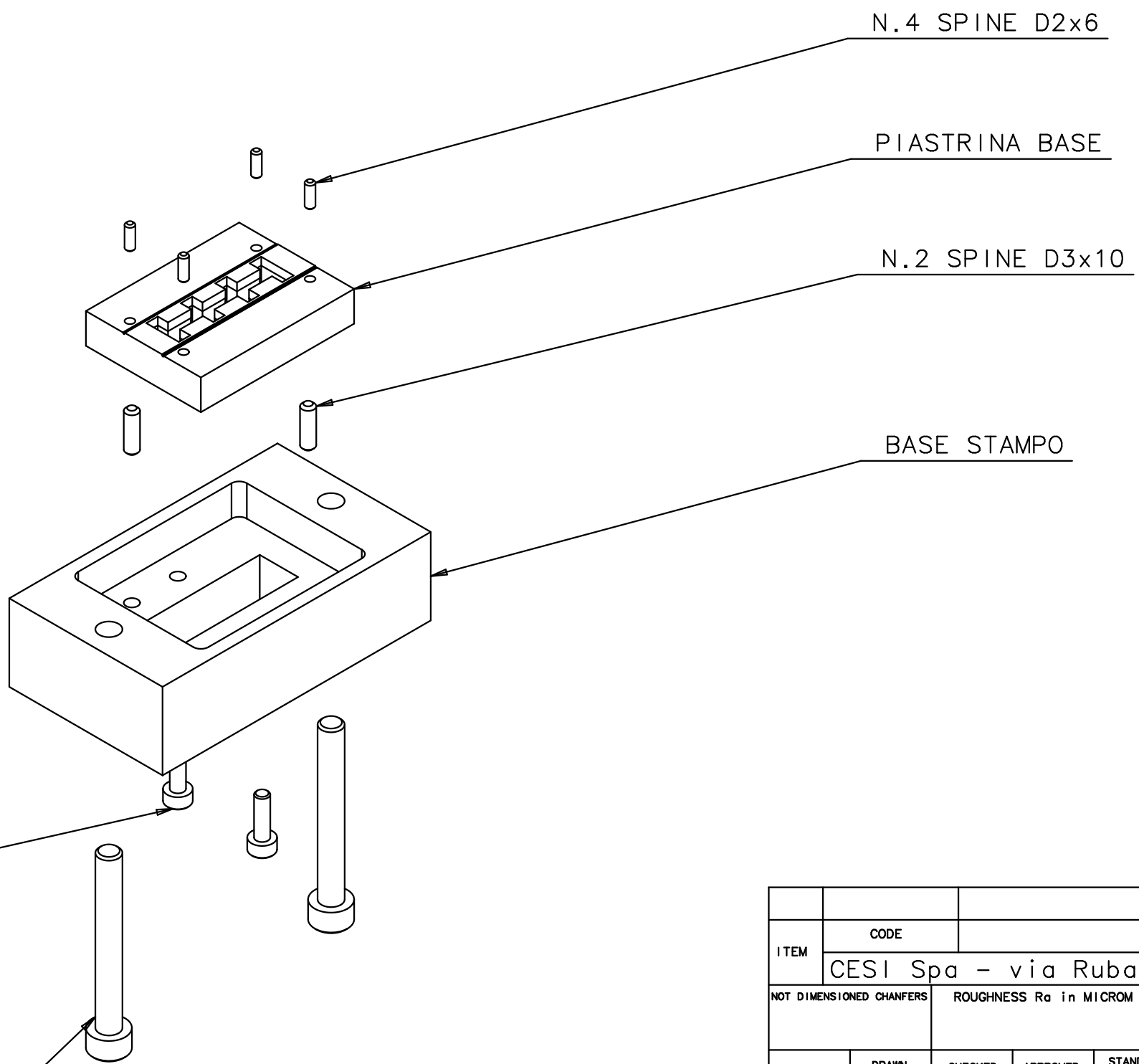
B

C

C

D

D



N.2 VITI TC M3x10

N. 2 VITI TC M5x40

						1	
ITEM	CODE	DESCRIPTION				QTY NEED	MATERIAL SPECIFIC.
		CESI Spa - via Rubattino 54 - 20134 Milano					
NOT DIMENSIONED CHAMFERS		ROUGHNESS Ra in MICROM		SURFACE A/O HEAT TREATING			
	DRAWN	CHECKED	APPROVED	STANDARD VERIF.	DIMENSIONS WITHOUT TOLLERENCE SPECIFICATION	SCALE	
DATE	07/03/05	CARASSITI	V.		Degree of accuracy UNI 5307	1	
SIGNATURE							
		TITLE				MODIFICATION INDEX	
		STAMPO PARTE INFERIORE - ESPLOSO				1	6
		DWG N.				SIZE	
		ST-P102				4	9
						5	10

1

2

3

4