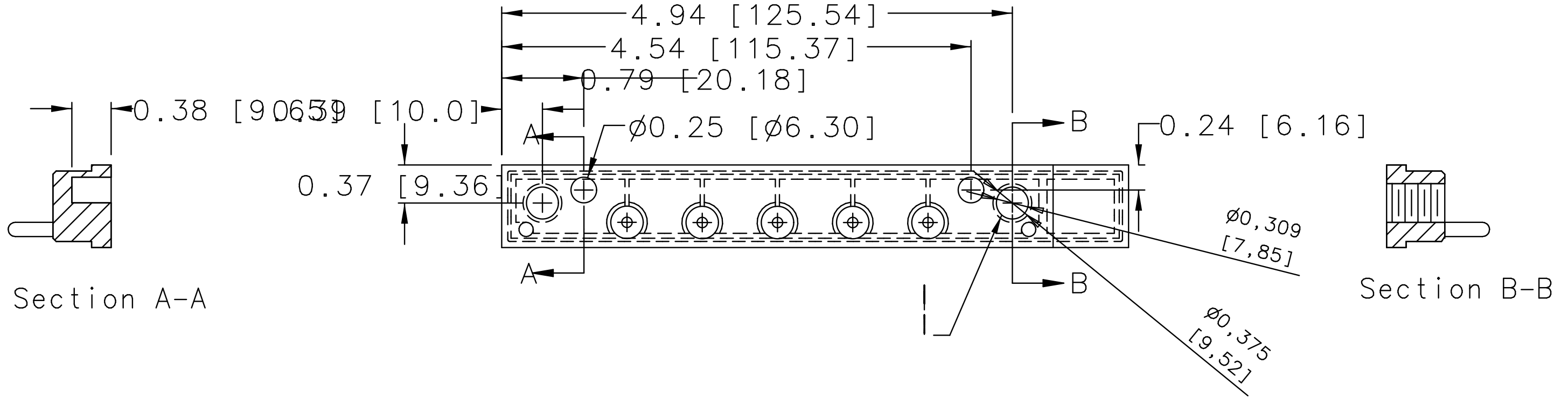
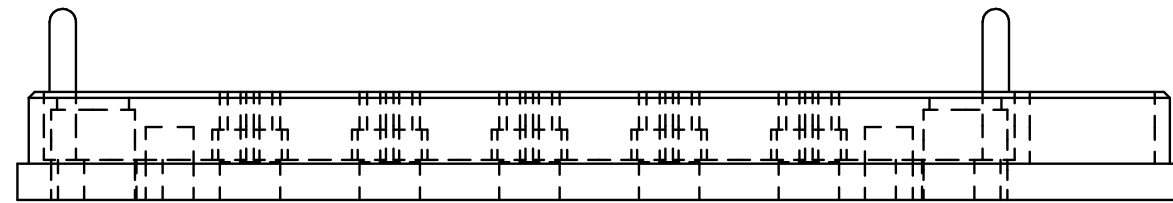


Back End Cap Modifications



inches [mm]