

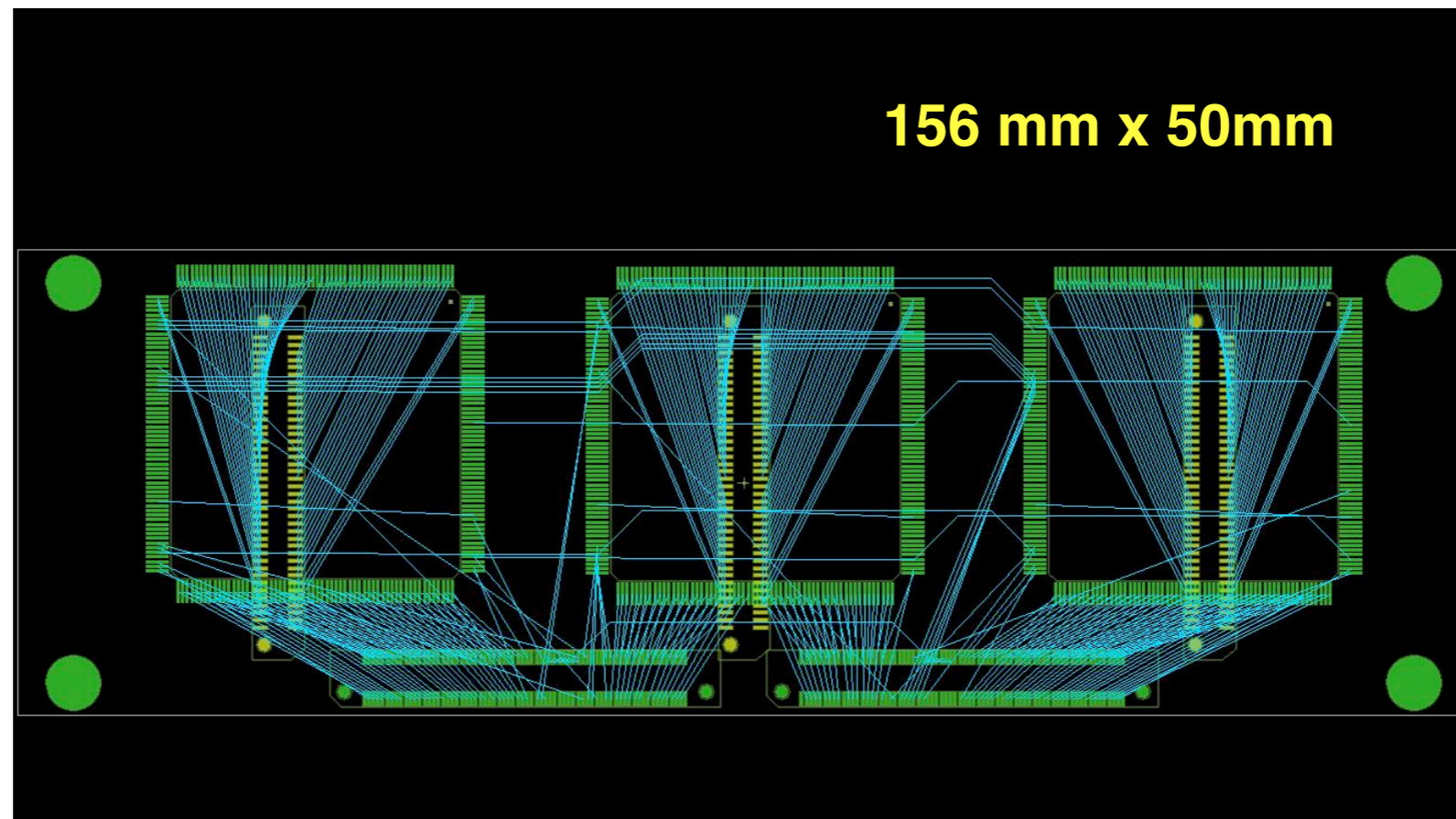
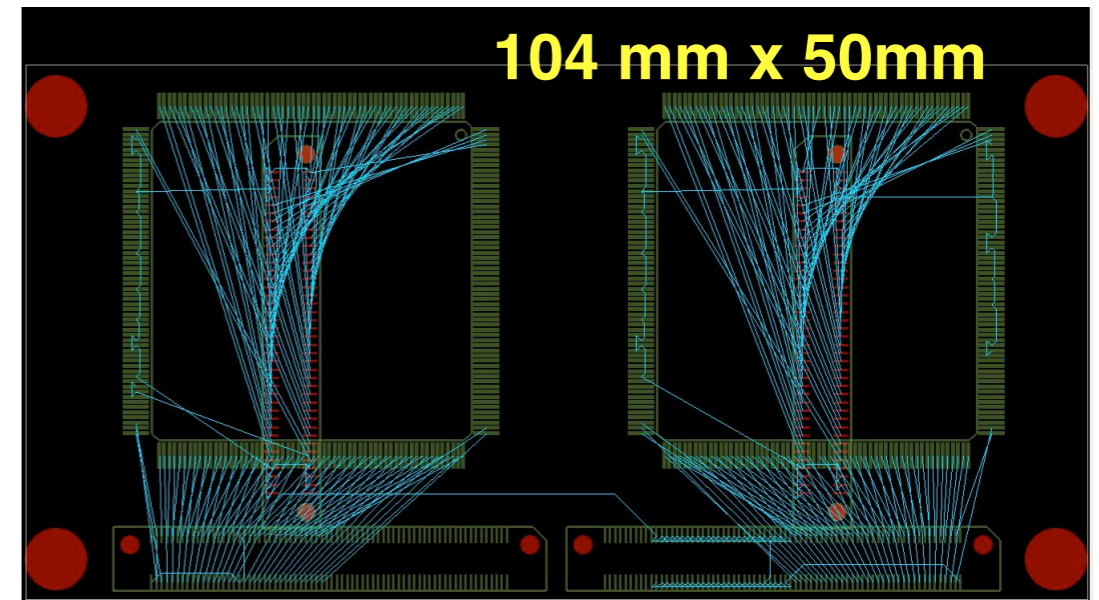
ASIC Board Status Report

D.Orecchini
R.Malaguti
P.Musico
M.Contalbrigo
M.Turisini

CLAS12 RICH Meeting, 2014 February 21th

Updates

- ASIC card schemes ready.
- I/O pins assigned
- Place all the components,
- Optimize few Control Lines
- Check ASIC bias
- Set Test Point
- To be verified with mechanics



Power Supply Connectors

Fixing screws, unique solution with buttonholes?

