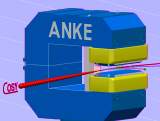


ANKE Detector/DAQ/Synchronis ation Updates

ANKE Detector Upgrade

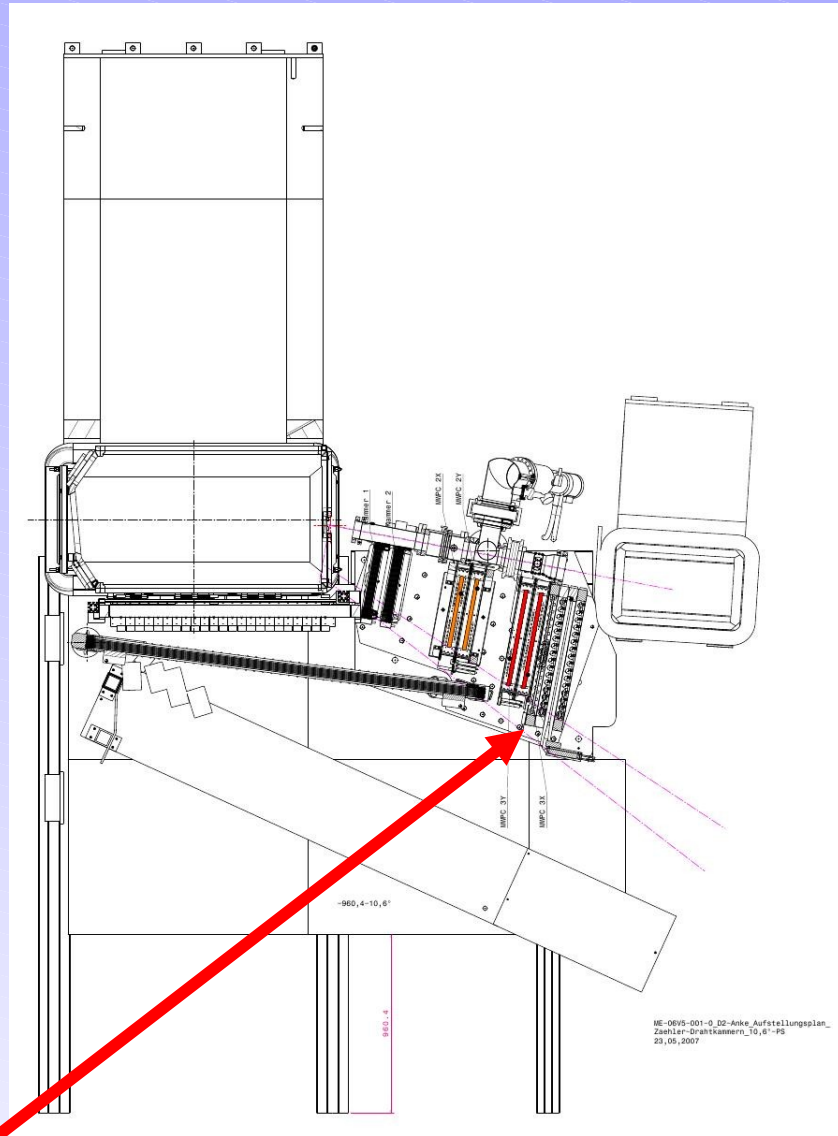
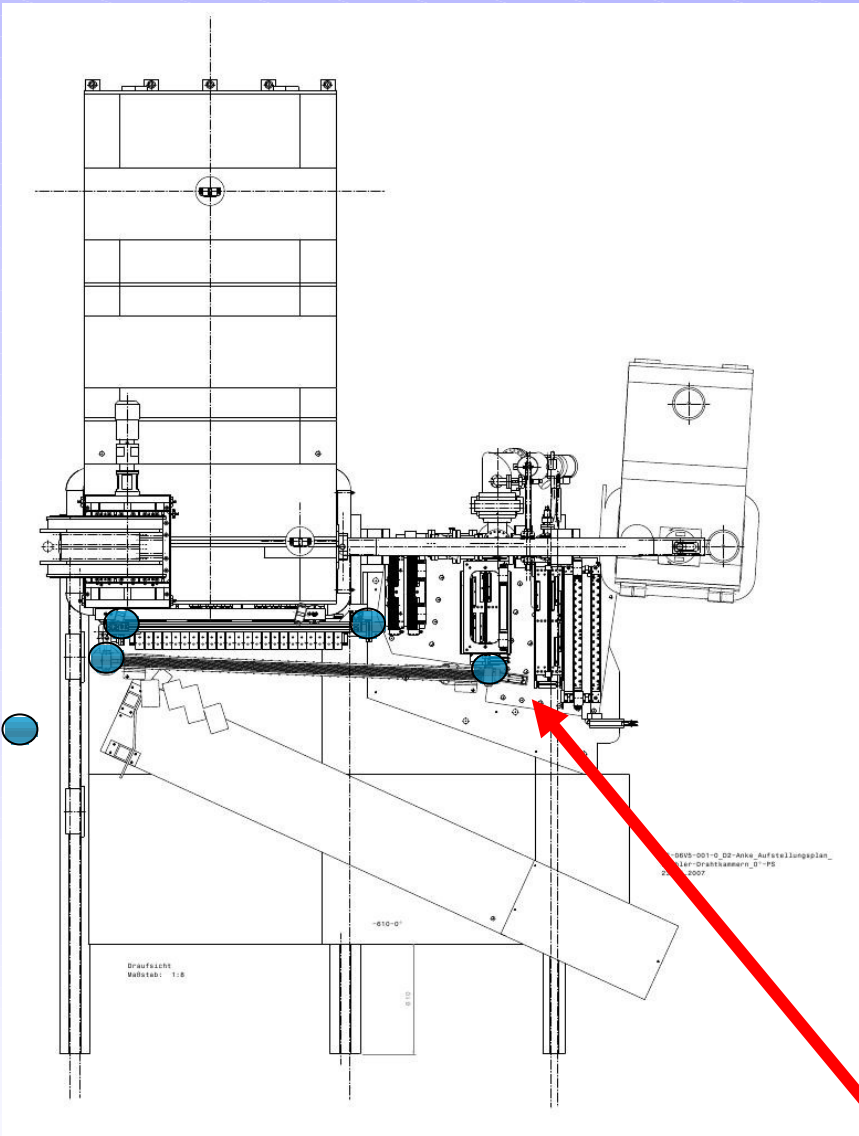
ANKE DAQ Update



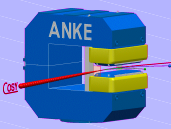
ANKE: Detector Upgrade



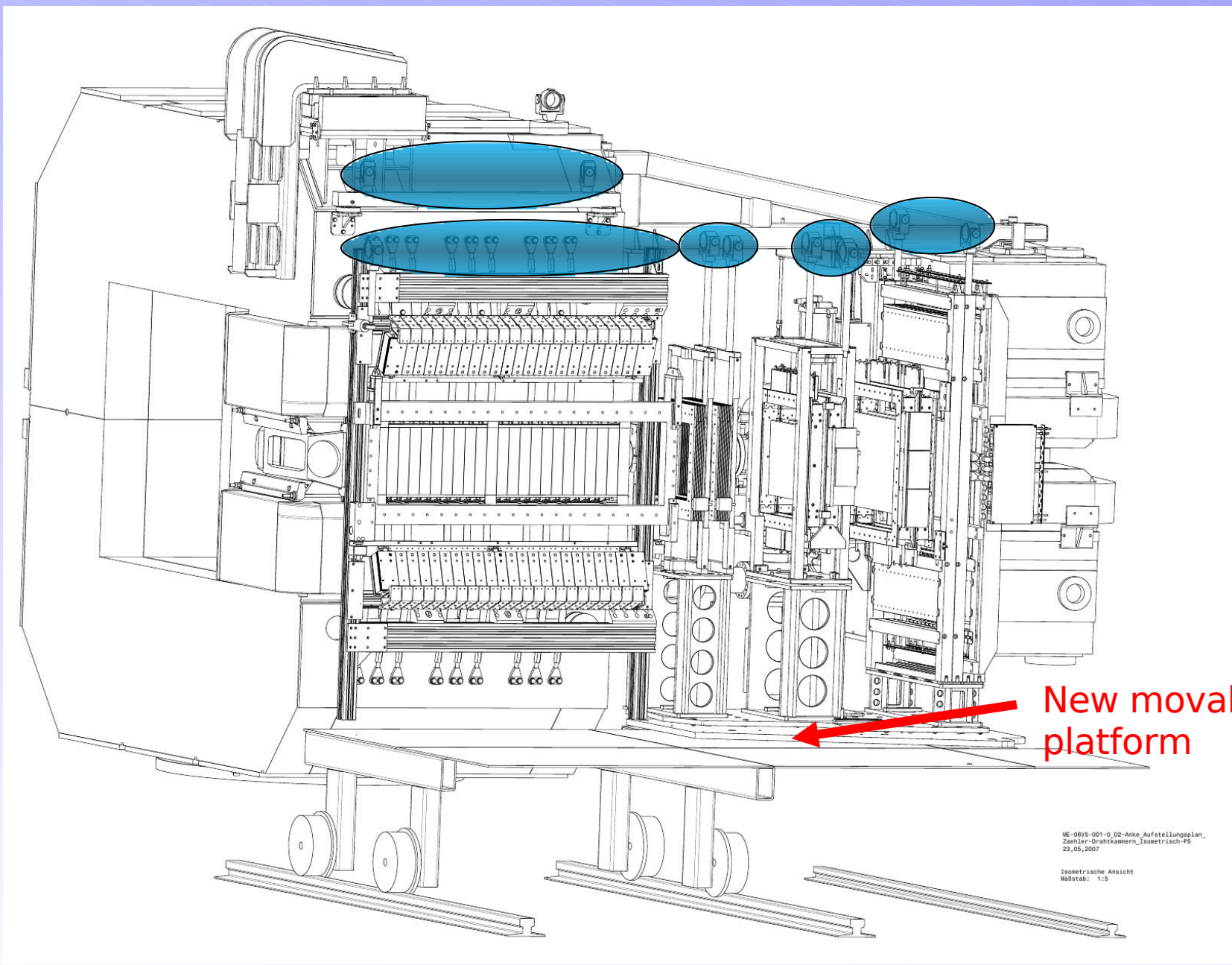
Summer 2007: New Support for SD+ MWPC2 → **DEFINED GEOMETRY!**

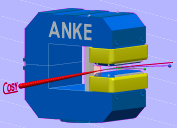


New movable platform



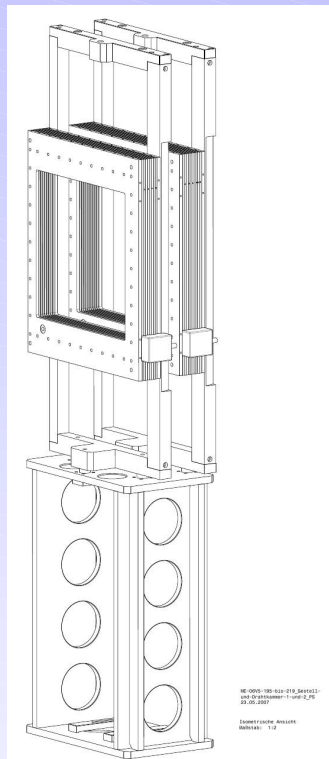
ANKE: Detector Upgrade



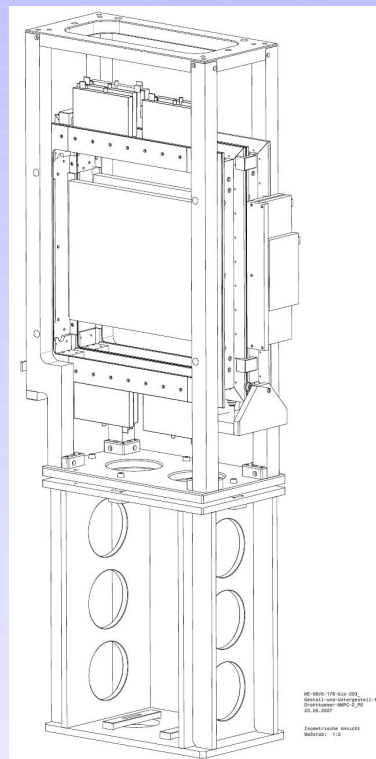


New FD support end of 2007
New hodoscope design in progress → IV/2007

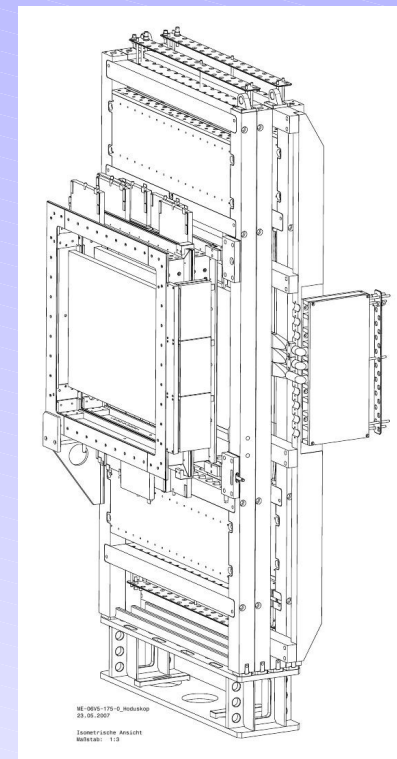
FD 1

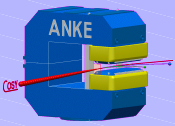


FD 2



FD 3





For Depolarization Study in November 2007 include into ANKE-DAQ:

- One new Vertex ADC System with 6 ADCs
- One VME-crate

→ Synchronisation, Readout

ANKE-Upgrade

- Upgrade of our F1 read-out
- WASA-like Synchronisation
- DSP-readout of FASTBUS
- Upgrade of our CSC-PCs

< 100 μ s dead-time!!